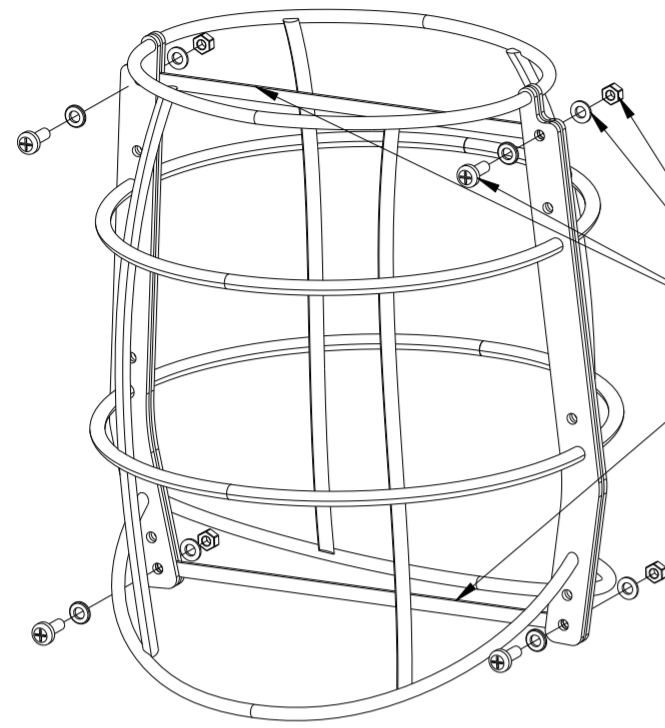
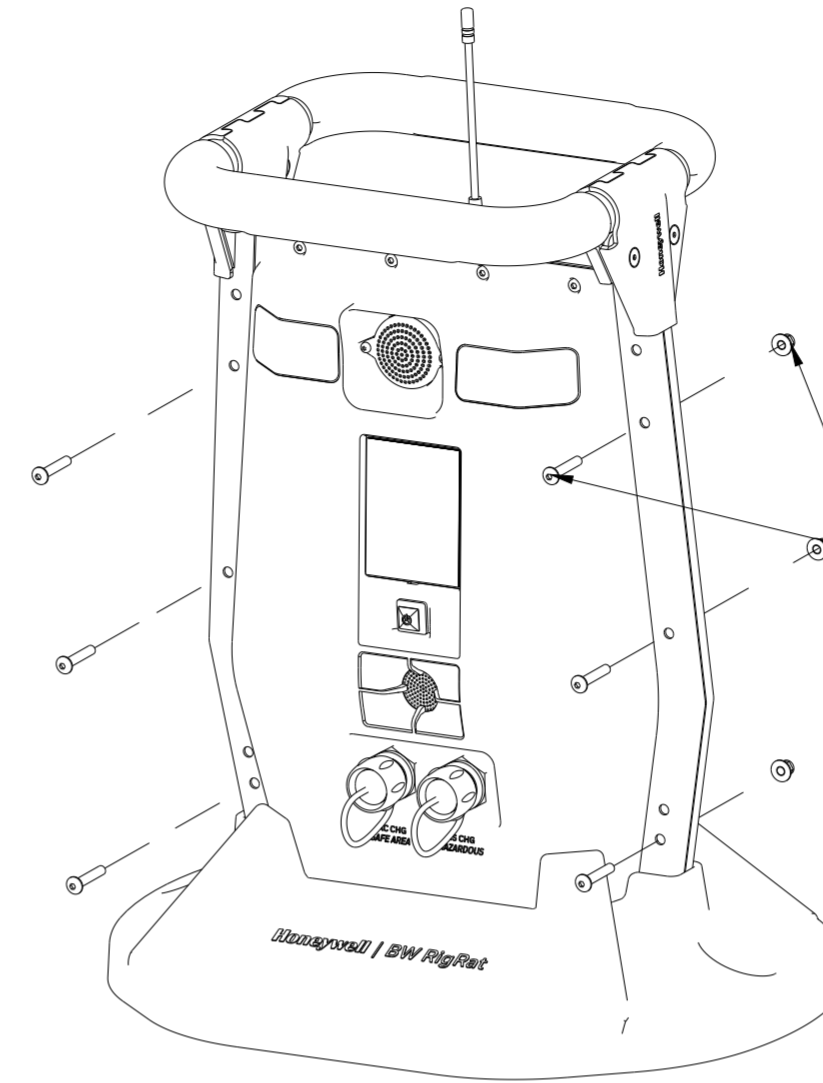


BW RigRat Cage Kit(W03-3042-000)Installation Guide



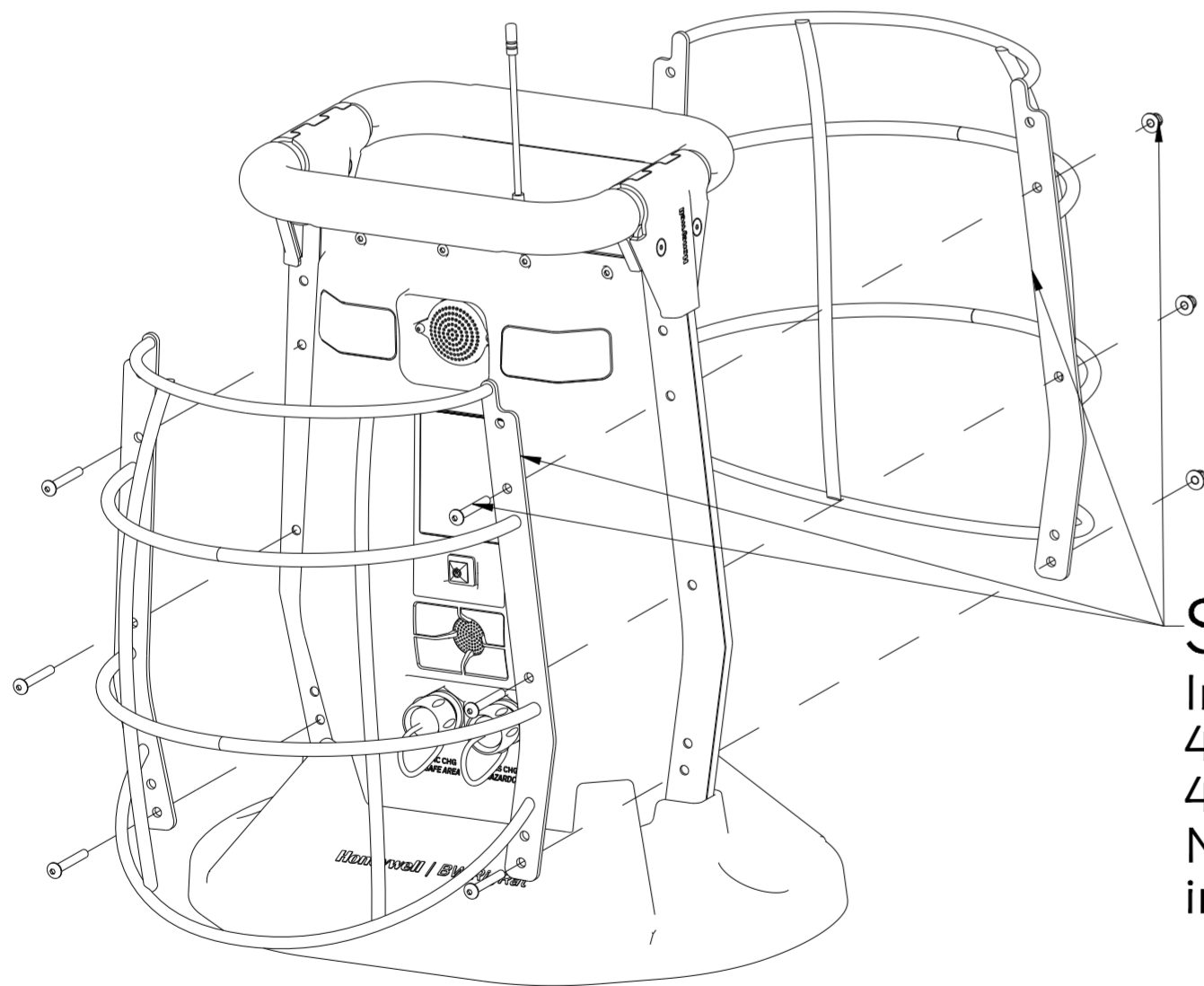
STEP 1

Remove fixed strip (2 pcs) ,nut(4 pcs),
screw(4pcs) and gasket(8PCS).
No use these parts removed from product.



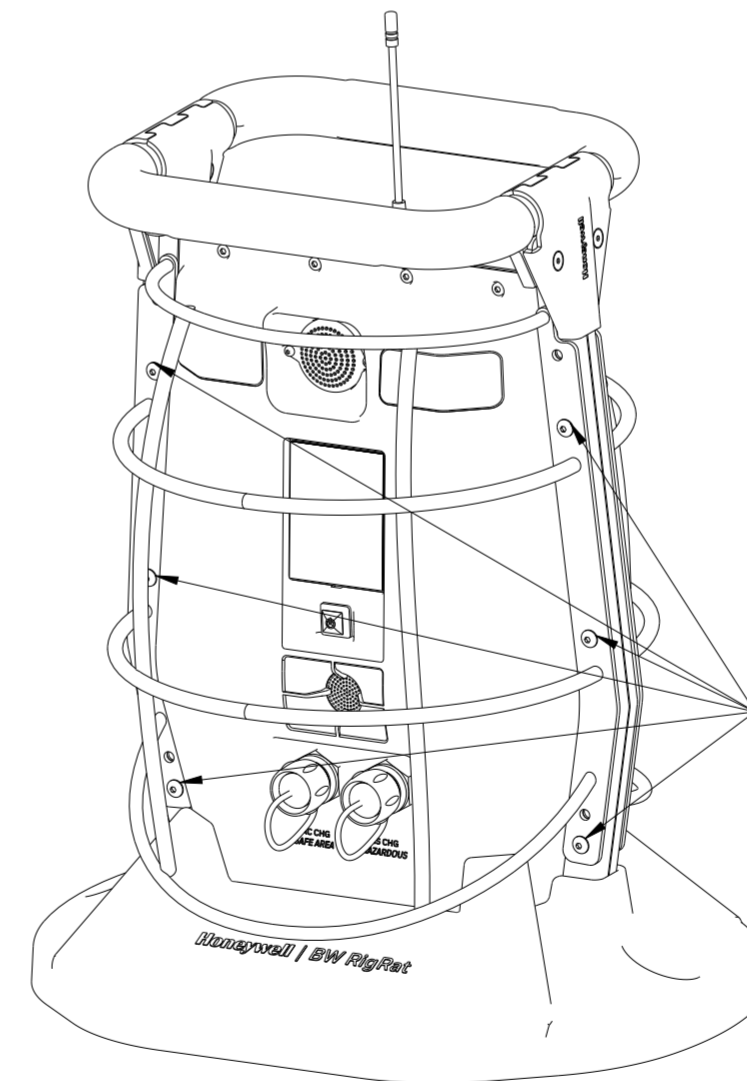
STEP 2

Remove the screw and locknut(6PCS).
no use these parts removed from product.



STEP 3

Install W03-2100-000 Cage(2PCS)
430-4041-000 Screw M5*35(6PCS)
430-8038-300Locknut M5(6PCS)
NOTE:must use right parts when
installation.



STEP 4

Fasten all screws and locknuts.
Torque is 12kgf.cm.