



Operating Manual

# PrimaX

Gas Transmitter



Order No.: 10115083/04

For the Declaration of Conformity, please visit the product page on **[MSAsafety.com](https://www.MSA.com)**.



*The Safety Company*

Schlüsselstrasse 12  
8645 Rapperswil-Jona  
Switzerland

## Contents

<b>1</b>	<b>Safety Regulations</b> . . . . .	<b>5</b>
1.1	Correct use . . . . .	5
1.2	Liability Information . . . . .	5
1.3	Safety and Precautionary Measures to be Adopted . . . . .	5
1.4	MSA Permanent Instrument Warranty . . . . .	7
<b>2</b>	<b>Description</b> . . . . .	<b>8</b>
2.1	Identifying the Unit . . . . .	8
2.2	Overview . . . . .	8
<b>3</b>	<b>Installation</b> . . . . .	<b>11</b>
3.1	Mechanical Installation . . . . .	11
3.2	Electrical Installation . . . . .	13
	Electrical Connection - PrimaX P . . . . .	13
	Electrical Connection - PrimaX I . . . . .	14
<b>4</b>	<b>Operation</b> . . . . .	<b>16</b>
4.1	Startup . . . . .	17
4.2	Menu Sequence . . . . .	17
4.3	Calibration . . . . .	18
4.4	Maintenance and Info . . . . .	20
4.5	Password . . . . .	23
4.6	Changeable Parameters . . . . .	24
4.7	Optional HART Module and Relay . . . . .	24
	HART . . . . .	24
	Electrical installation . . . . .	25
	Relays . . . . .	25
4.8	Relay Operation . . . . .	26
	Startup . . . . .	26
	Menu Sequence . . . . .	26
<b>5</b>	<b>Maintenance</b> . . . . .	<b>30</b>
5.1	Changing the Sensors . . . . .	30
<b>6</b>	<b>Technical Data</b> . . . . .	<b>32</b>
6.1	Specifications . . . . .	32
6.2	Cable Lengths and Cross-sections . . . . .	33

6.3	Performance Specifications .....	33
6.4	List of Detectable Gases .....	34
6.5	Sensor Response to Interferants .....	36
6.6	PrimaX P List of Combustible Gases and Vapours detectable with Catalytic Sensor Part No. 10112716 .....	37
<b>7</b>	<b>Approvals .....</b>	<b>40</b>
7.1	Marking, Certificates and Approvals according to the Directive 2014/34/EU (ATEX) and National Standards .....	40
7.2	Marking and Certificates according to IECEx .....	43
7.3	Special conditions for the safe use according to ATEX and SIL applications .....	46
7.4	Safety Relevant Parameters (40°C) .....	49
	Application with 4-20 mA Current Output .....	50
<b>8</b>	<b>Accessories .....</b>	<b>51</b>
8.1	Calibration Cap .....	51
8.2	Sensor Gard .....	51
8.3	Remote Calibration .....	52
	Installation .....	52
	Operation .....	53
8.4	Flow Through Adapter .....	54
8.5	Duct Mounting Kit .....	54
8.6	Pipe Mounting Kit .....	55
8.7	Sensor Tag .....	56
8.8	Sunshield .....	57
8.9	Universal HART Cable .....	57
<b>9</b>	<b>Spare Parts .....</b>	<b>58</b>
<b>10</b>	<b>Appendix .....</b>	<b>60</b>
10.1	Output States .....	60
10.2	Calibration Errors .....	61
10.3	Error Codes .....	61
10.4	Timeout .....	61
10.5	Mechanical Installation .....	62
10.6	Wiring Diagrams .....	65

# 1 Safety Regulations

## 1.1 Correct use

The PrimaX Gas Transmitters are fixed gas transmitters for measuring toxic or combustible gases and for monitoring oxygen deficiency, excess or inerting. They are suitable for outdoor and indoor applications without limitations, e.g. offshore industry, chemical and petrochemical industry, water and sewage industry. The signal of the transmitter can be used in combination with MSA control units for further actions in safety or non safety applications, e. g. MSA SUPREMA, Gasgard XL, 9010/9020.

The two versions of the gas transmitter are delivered either in a flameproof or in a intrinsically safe enclosure. The electrical parts and interfaces have the same basic functionality.

It is imperative that this operating manual be read and observed when using the device. In particular, the safety instructions, as well as the information for the use and operation of the device, must be carefully read and observed. Furthermore, the national regulations applicable in the user's country must be taken into account for a safe use.



### WARNING!

This product is supporting life and health. Inappropriate use, maintenance or servicing may affect the function of the device and thereby seriously compromise the user's life.

Before use the product operability must be verified. The product must not be used if the function test is unsuccessful, it is damaged, a competent servicing/maintenance has not been made, genuine MSA spare parts have not been used.

Alternative use, or use outside this specification will be considered as non-compliance. This also applies especially to unauthorised alterations to the product and to commissioning work that has not been carried out by MSA or authorised persons.

## 1.2 Liability Information

MSA accepts no liability in cases where the product has been used inappropriately or not as intended. The selection and use of the product are the exclusive responsibility of the individual operator.

Product liability claims, warranties also as guarantees made by MSA with respect to the product are voided, if it is not used, serviced or maintained in accordance with the instructions in this manual.

## 1.3 Safety and Precautionary Measures to be Adopted



### WARNING!

The following safety instructions must be observed implicitly. Only in this way can the safety and health of the individual operators, and the correct functioning of the device, be guaranteed.

- The device described in this manual must be installed, operated and maintained in strict accordance with their labels, cautions, instructions, and within the limitations stated.
- The device is designed to detect gases or vapours in air.
- If a device with a combustible sensor is exposed to vibrations, calibration shall be done in sufficient short intervals until it is verified that the device is not affected by the vibration stress.
- Do not mount the sensing head in direct sunlight as this could cause overheating of the sensor.
- The device must be installed with the sensor inlet pointing downwards to avoid clogging of the gas inlet by particles or liquids.
- Electrochemical sensors are sealed units which contain a corrosive electrolyte. Should a sensor develop leakage, it must be immediately removed from service and disposed of properly. Caution

must be exercised so that the electrolyte does not contact skin, clothing or circuitry otherwise personal injury (burns) and/or equipment damage may result.

- The only absolute method to ensure proper overall operation of the device is to check it with a known concentration of the gas for which it has been calibrated. Consequently, calibration checks must be included as part of the routine inspection of the system.
- As with all devices of these types, high levels of, or long exposure to, certain compounds in the tested atmosphere could contaminate the sensor. In atmospheres where the device may be exposed to such materials, calibration must be performed frequently to ensure that the operation is dependable and display indications are accurate.
- The device must not be painted. If painting is done in an area where a device is located, care must be exercised to ensure that paint is not deposited on the sintered metal flashback arrestor in the gas sensor inlet, if so equipped. Such paint deposits would interfere with the gas diffusion process.
- Use only genuine MSA replacement parts when performing any maintenance procedures provided in this manual. Failure to do so may seriously impair instrument performance. Repair or alteration of the device, beyond the scope of these maintenance instructions or by anyone other than an authorised MSA service personnel, could cause the product to fail to perform as designed.
- The device is designed for applications in hazardous areas under atmospheric conditions.
- For correct measurements, the combustible gas sensors require an oxygen concentration greater than 10 Vol%. Oxygen enriched atmospheres, greater than 21 Vol%, can affect the measurement and the electrical safety of the device.
- The response time of the device will be increased by significant dust deposits on the Sensor. Checks for dust deposits must be done at regular intervals.
- Catalytic combustible gas sensors may produce low or zero response to combustible gas after exposure to substances as Silicon, Silane, Silicate, Halide and compounds containing Fluorine, Chlorine, Iodine or Bromine.
- Catalytic sensor: After exposure of gas above the measuring range, the sensor has to be immediately calibrated / adjusted, independent of the calibration interval. In the case of an adjustment the sensitivity of the sensor has to be rechecked again after 24 hours.
- In case of very high flammable concentrations >100%LEL the device is able to lock all outputs (LOC). This function shall be used for standalone applications according to ATEX requirements.
- Catalytic sensor: If the PrimaX is operated in combination with a control unit and (LOC) is deactivated on the PrimaX, the control unit has to ensure the latching after the measuring range was exceeded.
- Catalytic sensor: Before a reset of an over range (LOC) indication is done it shall be verified that the gas concentration is below full scale.
- Toxic gases: If the measuring range is exceeded, sensor life time can be reduced or the sensor might need a recovery phase.
- Used sensors have to be disposed of in an environmentally compatible way.
- At signal underrange between -1.25 % and -10 % of the measuring range the 4 - 20 mA output is set to 3,8 mA. At signal underrange of more than -10 % of the measuring range the 4 - 20 mA output is set to the error state (2 mA). To avoid a delayed alarm activation, a calibration should be done when the output current is set to 3,8 mA and "LO" is shown on the display persistently.
- The lowest range which is suitable for the alarm thresholds should be selected for toxic gases.
- To compensate for possible deviations during measurement of flammable gases a calibration factor of 1.05 has to be applied when using the CalGard for remote calibration (see chapter 8.3 "Remote Calibration")

#### 1.4 MSA Permanent Instrument Warranty Warranty

Seller warrants that this product will be free from mechanical defect or faulty workmanship for

- Gas Transmitter: eighteen (18) months from date of shipment or one (1) year from installation, whichever occurs first;
- Oxygen, Toxic or Catalytic Combustible Sensor: eighteen (18) months from date of shipping or one (1) year from installation, whichever occurs first.

This warranty is applicable provided the product is maintained and used in accordance with Seller's instructions and/or recommendations. This warranty does not apply to expendable or consumable parts, whose normal life expectancy is less than one (1) year.

The Seller shall be released from all obligations under this warranty in the event repairs or modifications are made by persons other than its own or authorized service personnel or if the warranty claim results from physical abuse or misuse of the product. No agent, employee or representative of the Seller has any authority to bind the Seller to any affirmation, representation or warranty concerning the goods sold under this contract. Seller makes no warranty concerning components or accessories not manufactured by the Seller, but will pass onto the Purchaser all warranties of manufacturers of such components.

## 2 Description

### 2.1 Identifying the Unit

#### PrimaX P

flameproof version

#### PrimaX I

general purpose version, or  
intrinsically safe version



Fig. 1 PrimaX Gas Transmitter

#### PrimaX P

The PrimaX P is a gas transmitter with an aluminum enclosure. This is a flameproof version for the detection of combustible or toxic gases or oxygen.

#### PrimaX I

The PrimaX I is a gas transmitter with a plastic enclosure. It is available as a general purpose version (not intended for hazardous area) or intrinsically safe version. Both versions are designed for a detection of toxic gases or oxygen.

### 2.2 Overview

The device is factory-calibrated and delivered ready for installation. Each device is configured and calibrated for only one specific gas or vapor.

The enclosures vary depending on the particular version. The electrical parts and interfaces have the same basic functionality.

The device has:

- a quick and easy pluggable sensor,
- a four digit liquid crystal display (LCD),
- a key pad with a cover
- a detachable backplate for installation on a wall or on a pipe

The device operates with a 4 – 20 mA output signal.



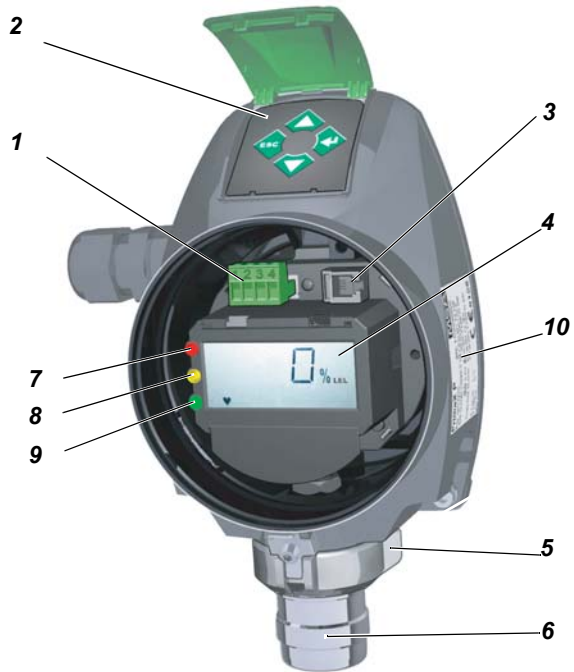


Fig. 2 Exploded View (PrimaX P)

- |   |                               |    |                            |
|---|-------------------------------|----|----------------------------|
| 1 | Terminal for power connection | 6  | Sensor                     |
| 2 | Keypad with cover             | 7  | Red LED (PrimaX P only)    |
| 3 | Connector for factory use     | 8  | Yellow LED (PrimaX P only) |
| 4 | Display                       | 9  | Green LED (PrimaX P only)  |
| 5 | Bayonet joint with interlock  | 10 | Identification plate       |

## Sensors

Description	PrimaX P	PrimaX I
Detection of toxic gases	X	X
Detection of oxygen	X	X
Detection of combustible gases	X	

The device operates with a 4 – 20 mA output signal.

As an optional feature additional modules are available for these configurations of PrimaX transmitter:

Modules	PrimaX P	PrimaX I
HART module	X	X
HART + Relays module	X	-
HART+ Relays module with galvanically isolated analogue output	X	-

For more information on the HART module → chapter 4.7 "Optional HART Module and Relay".

### 3 Installation

The device should be installed where gas leaks are expected. The installation position depends on the gas density, either in the upper area of the room under the ceiling for gases lighter than air or close to the ground for gases heavier than air. Also consider how air movement may affect the ability of the device to detect gas. The display on the front of the instrument must always be clearly visible, the view must not be obstructed.



Before beginning the installation, check that the delivered components are complete and correct, referring to the shipping documents and the sticker on the shipment carton.



When preparing the assembly, make sure that the mounting arrangement is correct for the particular device.

#### 3.1 Mechanical Installation

##### Preparation

To install the device, first remove the backplate.



##### Undo Screws

- (1) Unscrew the device.



##### Remove Device

- (2) Remove the device from the backplate by lifting up the lower edge as shown.

## Wall or Pipe Mounting

For pipe mounting a pipe mounting kit is necessary (→ chapter 8.6 "Pipe Mounting Kit").



### Install the Backplate

- (1) Use the two keyhole slots for attaching the mounting plate to the wall. Use 6mm diameter screws and suitable plugs.
- (2) For a wall installation use the backplate as a template for drilling the holes for the two fixing screws, for a pipe installation use the pipe clip.
- (3) Attach the backplate to the wall or the pipe clip with M6 x 20 screws.
  - a) The hitch should point away from the wall or pipe.
  - b) The straight edge of the backplate should be at the bottom.



### Attach the Device to the Backplate

- (4) Attach the device to the top of the backplate.
- (5) Fold down the device, till it is closed to the backplate.



### Fasten Device

- (6) Screw the device to the backplate.

### 3.2 Electrical Installation

#### Instructions for Electrical Connection

**WARNING!**

The device must be installed only in compliance with the applicable regulations, otherwise the safe operation of the instrument is not guaranteed.

- Shielded cable for measuring devices is recommended.
- Always observe maximum cable lengths and cross-sections (→ chapter 6.2 "Cable Lengths and Cross-sections").
- Water or impurities can penetrate the instrument through the cable. In hazardous areas, it is recommended to install the cable in a loop just before entry into the instrument or to slightly bend it to prevent water from entering.

**i** The power supply is defined as 24 VDC. If the input supply voltage at the terminal of the transmitter is less than 10 V, the device will shut down. The 24 V power supply shall fulfill the requirements for a PELV/SELV of EN 60950.

**i** Operating the PrimaX I version in hazardous areas requires an intrinsically safe power supply.

#### Electrical Connection - PrimaX P

##### Terminal PrimaX P

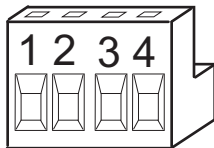


Fig. 3 Terminal PrimaX P (3-wire sensor)

- 1 Power supply (+), 24 V DC
- 2 0 V DC
- 3 4 – 20 mA (Signal)
- 4 empty

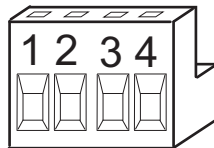


Fig. 4 Terminal PrimaX P (4-wire sensor)

- 1 Power supply (+), 24 V DC
- 2 0 V DC
- 3 4 – 20 mA (Signal)
- 4 Isolated ground

GB

PrimaX P

Power supply (+) 24 V DC

0 V DC (-)

4 – 20 mA (Signal)

Isolated ground



Fig. 5 3-wire/4-wire connection - PrimaX P

- (1) Unscrew the interlock between cover and bayonet joint of sensor.
- (2) Unscrew the aluminum lid of the enclosure.
- (3) Unplug the 4-way terminal block.  
*The block is located behind a plastic cover above the display.*
- (4) Unscrew clamping nut at the cable gland.
- (5) Put clamping nut on the cable.
- (6) Insert cable for connection into the device.
- (7) Connect cable to terminal.  
*Use a shielded cable with 3 wires for the 3-wire sensor.*  
*Use a shielded cable with 4 wires for the 4-wire sensor.*
- (8) Tighten cable gland clamping nut, check that cable cannot move within the cable gland.
- (9) Replace enclosure lid and secure the interlock.

**Electrical Connection - PrimaX I**

**Terminal PrimaX I**

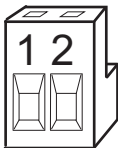


Fig. 6 Terminal PrimaX I

- 1 Power supply (+), 24 V DC
- 2 4 – 20 mA (Signal)

GB

## PrimaX I

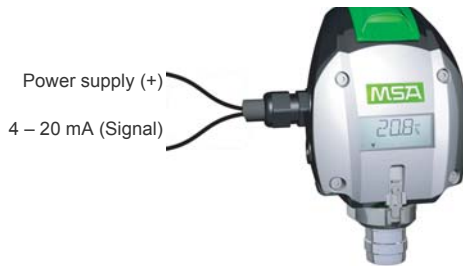


Fig. 7 2-wire connection - PrimaX I

- (1) Remove plastic cover.  
*It is bolted with 4 screws.*
- (2) Remove the 2-way terminal block.  
*It is located behind a plastic cover above the display.*
- (3) Unscrew clamping nut at the cable gland.
- (4) Put clamping nut on the cable
- (5) Insert cable for connection into the device.
- (6) Connect cable to terminal.
  - a) Use a 2-wire shielded cable.
- (7) Tighten cable gland clamping nut, check that cable cannot move within the cable gland.
- (8) Replace plastic cover, tighten the screws and secure the interlock.

## 4 Operation



The device is factory-calibrated and delivered ready for installation. Each device is configured and calibrated for only one specific gas or vapor.

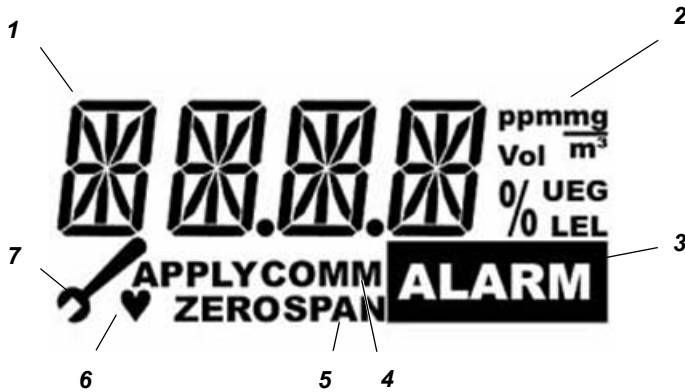


Fig. 8 Display overview

- |   |                                      |   |                         |
|---|--------------------------------------|---|-------------------------|
| 1 | Measuring value/Menu/Text dimensions | 5 | Calibration             |
| 2 | Units                                | 6 | Alive signal (flashing) |
| 3 | LOC, alarm indication (optional)     | 7 | Maintenance             |
| 4 | Signal for an active communication   |   |                         |



## 4.1 Startup

During startup a self-test is performed and the output signal is set to the service current (default 3.0 mA). The following information is displayed:

---

### Display Test

The display shows all segments.

**Note:** The PrimaX P also shows all LEDs and afterwards the yellow LED is flashing during the startup procedure.

---

### Software Version

The display shows the firmware version.

---

### Sensor

The display shows the configured type of sensor operating with each individual detector, e.g.: COMB (combustible), CO, H<sub>2</sub>S.

---

### Range

The display shows the measuring range predefined for the gas detector, e.g.: 100% LEL.

---

### Countdown

The countdown for sensor stability is displayed.

---

### Normal Operation

After countdown, the gas concentration (ppm, Vol%, % LEL, % UEG, mg/m<sup>3</sup>) is displayed. The heart symbol flashes to indicate alive status.

---

## 4.2 Menu Sequence

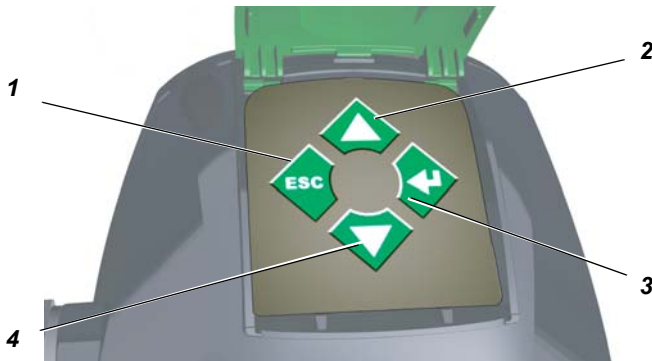


Fig. 9 Keypad - operating buttons

1	ESC button	3	ENTER button
2	UP button	4	DOWN button

To navigate in the menu sequence, 4 buttons are available.

In general:

- (1) Press ENTER to get access to a menu sequence.
- (2) Press UP or DOWN until the desired menu is displayed.
- (3) Press ENTER to get access to a menu.
- (4) Press ESC to cancel the process.

The following table lists the menu items. Detailed descriptions can be found in the chapters 4.3 "Calibration", 4.4 "Maintenance and Info" and 4.5 "Password".

Menu item	Text	Password?
M-01	<b>Calibration</b>	Yes
M-02	<b>ZERO Calibration</b>	Yes
M-03	<b>Show Test Gas Concentration</b>	No
M-04	<b>Setup Calibration</b>	Yes
M-05	<b>Sensor Exchange</b>	Yes
M-06	<b>LCD and LED Test</b>	No
M-07	<b>Loop Test</b>	Yes
M-08	<b>Device Info</b>	No
M-09	<b>Sensor Info</b>	No
M-10	Changing the Range	Yes
M-00	<b>Reset Alarm</b>	Yes

### 4.3 Calibration



The test gases used for calibration are possibly posing a health risk. Proper ventilation or extraction has to be ensured.

#### General

The calibration must be done at regular intervals in accordance with applicable national and regional regulations.

The device is calibrated at the factory. Nevertheless, it is recommended to recalibrate the device after installation. The frequency of calibration depends on the duration of use and the chemical exposure of the sensor. New sensors must be calibrated frequently until it is clear from the calibration data that they have stabilised. Suitable regulators and pipes for calibration must be used.



A calibration cap is recommended for sensor calibration, flow rate 1l/ min ( $\pm$  20%).



Connect power to the device at least one hour before attempting a calibration. Carry out the calibration during commissioning as well as at regular intervals. This ensures optimum operation of the sensor.



It is recommended that all calibration components are connected before starting a calibration as it is necessary to apply test gas to the device during a countdown.



When monitoring flammable gas in safety related applications the PrimaX must be calibrated with a known concentration of the gas being monitored.

The lower explosive limits (LEL) of the gases and vapors in the following example were taken from EN 60079-20-1. Local regulations may specify different LEL values; always ensure the correct values are used.

It is recommended that the PrimaX zero is calibrated using clean air, free of measuring gas, and calibration gas of approximately 50 % of measuring range (comb. and TOX) in air of the gas being monitored. The recommended calibration gas for oxygen is 50% of measuring range, but for a measuring range 0-25 vol% O<sub>2</sub>, the device can be calibrated using 20.9 vol% O<sub>2</sub>.



For oxygen a zero calibration with gas is not required, it is performed internally.

**Calibration example for Methanol**

Methanol calibration gas concentration being used = 3,5 Vol%  
 Methanol volume concentration for 100%LEL = 6,0 Vol%  
 Methanol calibration gas concentration in %LEL

$$3,5 \text{ Vol\% CH}_4\text{O} \times \frac{100\% \text{ LEL}}{6,0 \text{ Vol\% CH}_4\text{O}} = 58,3 \text{ \% LEL}$$

**Calibration Procedure**

The calibration can be performed as a manual or an automatic calibration (→ M-04).

**Automatic Calibration (automatic):** a countdown is displayed. After the countdown the value is measured and displayed. When the value is stable the current value is selected automatically.

**Manual Calibration (manual):** the measuring value is displayed. When the value is stable press ENTER to select the current value.

**Waiting for calibration gas**

After starting any calibration step, calibration gas (zero or test gas) must be applied until calibration step is finished.



## Calibration Steps



The calibration procedure can be canceled at any time by pressing ESC. The previous transmitter calibration will be used.

### (M-01) - ZERO and SPAN Gas Calibration

- (1) Press ENTER and select menu 1.
- (2) Press ENTER button.
- (3) Enter password (→ chapter 4.5 "Password").
- (4) Apply zero gas (synthetic air).
- (5) Wait until countdown is finished (automatic) or press ENTER (manual).  
*OK is displayed.*
- (6) Apply test gas.
- (7) Wait until calibration is finished (automatic) or press ENTER (manual).  
*OK is displayed.*  
*Idle time countdown starts, during this time the test gas can be removed and the output signal remains on service current level.*
- (8) Remove test gas during the countdown.

### (M-01) - Oxygen Calibration

- (1) Press ENTER and select menu 1.
- (2) Press ENTER button.
- (3) Enter password (→ chapter 4.5 "Password").
- (4) Apply synthetic air.
- (5) Wait until countdown is finished (automatic) or press ENTER (manual).  
*OK is displayed.*
- (6) The device goes to measuring mode.

### (M-02) - ZERO Gas Calibration

- (1) Press ENTER and select menu 2.
- (2) Press ENTER button.
- (3) Enter password (→ chapter 4.5 "Password").
- (4) Apply zero gas (synthetic air).
- (5) Wait until calibration is finished (automatic) or press ENTER (manual).  
*OK is displayed.*
- (6) The device goes to measuring mode.

## 4.4 Maintenance and Info

### (M-03) - Show Test Gas Value

- (1) Press ENTER and select menu 3.
- (2) Press ENTER button.  
*Test gas concentration is displayed.*
- (3) Press ENTER button to go back to Menu or ESC to go back to measuring mode.

### (M-04) - Setup Calibration

This menu is used to set the test gas concentration for span calibration and all calibration countdown times.

- (1) Press ENTER and select menu 4.
- (2) Press ENTER button.
- (3) Enter password (→ chapter 4.5 "Password").

- (4) Set the test gas concentration with the UP or DOWN button.
- (5) Press ENTER button.
- (6) Set the zero calibration countdown time in seconds with the UP or DOWN button.
  - a) **Note:** time = 0 → (manual) zero calibration, otherwise an (automatic) calibration is performed by the device.
- (7) Press ENTER button.
- (8) Set the span calibration countdown in seconds with the UP or DOWN button.
  - a) **Note:** time = 0 → (manual) span calibration, otherwise an (automatic) calibration is carried out by the device.
- (9) Press ENTER button.
- (10) Set the idle time countdown in seconds with the UP or DOWN button.
- (11) Press ENTER button.

**(M-05) - Sensor Exchange**

This menu initiates the initial calibration and resets the sensor lifetime counter. OX/TOX sensors can be exchanged under power (hot swapped) with this function.


 **WARNING!**

Hot swaps must not be carried out for COMB sensors.

Only OX/TOX sensors can be exchanged with this menu.

For COMB sensors with this menu only the initial calibration is initiated and the sensor life time is reset.

If an (OX/TOX) sensor is connected:	If a COMB sensor is connected:
<ol style="list-style-type: none"> <li>(1) Press ENTER and select menu 5.</li> <li>(2) Press ENTER button.</li> <li>(3) Enter password (→ chapter 4.5 "Password").</li> </ol>	<ol style="list-style-type: none"> <li>(1) Press ENTER and select menu 5.</li> <li>(2) Press ENTER button.</li> <li>(3) Enter password (→ chapter 4.5 "Password").</li> </ol>
<ul style="list-style-type: none"> <li>• An hourglass symbol is shown to signify the time span (max. 15 min) during which it is possible to hot-swap a sensor without triggering an error code</li> </ul>	<ol style="list-style-type: none"> <li>(4) (Perform a ZERO and SPAN calibration (M-01).</li> </ol>
<ol style="list-style-type: none"> <li>(5) Change the sensor during this time span.</li> <li>(6) Press ENTER or ESC to start the running-in time countdown.</li> <li>(7) (Perform a ZERO and SPAN or Oxygen calibration (M-01).</li> </ol>	

 Sensors that are no longer required have to be disposed of in an environmentally compatible way.

**(M-06) - LCD/LED Test**

LCD and LED test (LED only available in PrimaX P). All segments will be displayed and the LEDs will flash sequentially.

- (1) Press ENTER and select menu 6.
- (2) Press ENTER button.



**(M-07) - Loop Test**

In this menu a 4 - 20 mA loop test will be performed.

- (1) Press ENTER and select menu 7.
- (2) Press ENTER button.
- (3) Enter password (→ chapter 4.5 "Password").  
*The loop test mA value is displayed (default value = 12 mA).*
- (4) Press UP or DOWN to change the value.
- (5) Press ENTER button to start the test.
- (6) Press ENTER button to go back to menu or ESC to go back to measuring mode.

**(M-08) - Device Information**

In this menu device information is shown, i.e. gas type, measuring range, firmware version.

- (1) Go through the information with the ENTER button.

**(M-09) - Sensor Information**

This menu shows the minimum and maximum measured gas concentrations, which can be reset by holding the UP or DOWN button.

It shows the sensor life time in months since sensor exchange (→ M-05).

If a COMB or a TOX sensor is connected this menu shows the response time (as calculated during zero span calibration).

If an OX/TOX sensor is connected this menu shows the measured mV value.

If a COMB sensor is connected this menu shows the detector ( $U_D$ ), compensator ( $U_K$ ) and differential voltage ( $U_X$ ) in mV.

- (1) Go through the information with the ENTER button.

**(M-10) - Range Selection****WARNING!**

Test gas concentration has to be checked and device has to be calibrated if the range is changed.

---

This menu allows to set up the optional measuring ranges for connected OX/TOX sensors.

- (1) Press ENTER and select menu 10.
- (2) Press ENTER button.
- (3) Enter password (→ chapter 4.5 "Password").
- (4) Press UP or DOWN button to select the range and/or the measuring unit (TOX: ppm, mg/m<sup>3</sup>; COMB: LEL, UEG).
- (5) Press ENTER button.

*OK is displayed.*

*The calibration is set to invalid and service current is supplied until recalibrated.*

**(M-00) - Reset Alarm**

menu to reset a LOC of combustible sensor or an alarm. It appears only in the menu if there is a latched LOC or alarm.

- (1) Press ENTER and select menu 0.
- (2) Press ENTER button.
- (3) Enter password (→ chapter 4.5 "Password").

*Success message confirms that latched alarm is reset.*

**4.5 Password**

Menus which should only be changed by qualified and authorized persons are locked by a four digit password.

---



The default password is 0000.

---

After entering the password menu, the values of the digits will be set from left to right:

- (1) Press UP or DOWN to change the value.  
*The value will be increased or decreased.*
- (2) Press ENTER to get to the next digit.  
*With ESC, one digit can be backspaced.*  
*If all four digits are entered, the password will be validated.*

#### 4.6 Changeable Parameters

Values	default	minimum	maximum
Span/Test Gas Value	regarding sensor (e.g.: CO = 60ppm, H <sub>2</sub> S 10ppm, O <sub>2</sub> = 20.8 vol%, combustible = 50% LEL)	10% of Range	100% of Range
Zero Calibration Time	30 s	0 s	2000 s
Span Calibration Time	30 s	0 s	2000 s
Idle Time after calibration	30 s	10 s	2000 s
Range	See 6.4 "List of Detectable Gases" List of detectable gases		
Loop Test	12 mA	2 mA with 2-wire version 0 mA with 3/4-wire version	22 mA

#### 4.7 Optional HART Module and Relay HART

##### Introduction

"HART" is an acronym for Highway Addressable Remote Transducer. The HART Protocol makes use of the Bell 202 Frequency Shift Keying (FSK) standard to superimpose digital communication signals at a low level on top of the 4 - 20 mA.

The HART Protocol provides two simultaneous communication channels: the 4 - 20 mA analog signal and a digital signal. The 4 - 20 mA signal communicates the primary measured value (in the case of a field instrument) using the 4 - 20 mA current loop. Additional device information is communicated using a digital signal that is superimposed on the analog signal.

PrimaX is registered with the HART foundation and can be accessed at <http://www.hartcomm.org/>

The device is available with an optional HART module or a module with HART and Relays for alarm and failure. It uses the HART Protocol Revision 7 and can only communicate with HART Masters who support revision 7 or higher.



The following HART functions are also available:

ZERO SPAN Calibration / Oxygen Calibration; ZERO Calibration; Sensor Exchange; LCD/LED Test; Loop Test; Range setup; Reset alarm; Readout all measured data and information.



**Electrical installation**



Fig. 10 HART ports

1 Optional HART port

For wiring diagrams → chapter 10.6 "Wiring Diagrams".

**Relays**

Relay nominal switching capacity (resistive load):

Alarm Relay	2A / 30V DC
Failure Relay	2A / 30V DC



Fig. 11 Location of Relay

1 Relay Terminals

GB

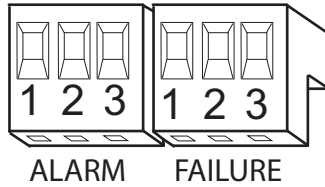


Fig. 12 Relay Terminals

<i>Alarm Relay</i>		<i>Failure Relay</i>	
1	<i>Normally closed energised(NC)</i>	1	<i>Normally closed energised(NC)</i>
2	<i>Common (COM)</i>	2	<i>Common (COM)</i>
3	<i>Normally open energised(NO)</i>	3	<i>Normally open energised(NO)</i>

## 4.8 Relay Operation

### Startup

If relays are used the alarm threshold will be displayed at startup

### Menu Sequence

Menu item	Text	Password?
M-11	Relay Info	No
M-12	Relay Setup	Yes
M-13	Relay Test	Yes

#### (M-11) - Relay Info

- (1) Press ENTER and select menu 11.
- (2) Press ENTER button.
- (3) Go through the information with the ENTER button.

*It shows:*

- The alarm threshold and if the alarm is activated with a rising or falling gas concentration.
- if an alarm would be latched.
- the alarm relay delay time in seconds.
- if the alarm relay is normally energised.
- the failure relay delay time in seconds.
- if the failure relay is normally energised.

**(M-12) - Relay Setup**

- (1) Press ENTER and select menu 12.
- (2) Press ENTER button.
- (3) Enter password (→ chapter 4.5 "Password").
- (4) Set the alarm threshold with the UP or DOWN button.
- (5) Press ENTER button.
- (6) Set rising or falling alarm option with the UP or DOWN button.
- (7) Press ENTER button.
- (8) Set if latched with the UP or DOWN button.
- (9) Press ENTER button.
- (10) Set the alarm relay delay with the UP or DOWN button.
- (11) Press ENTER button.
- (12) Set alarm relay normally energized option with the UP or DOWN button.
- (13) Press ENTER button.
- (14) Set the failure relay delay with the UP or DOWN button.
- (15) Press ENTER button.
- (16) Set the failure relay normally energized option with the UP or DOWN button.
- (17) Press ENTER button.

**(M-13) - Relay Test**

- (1) Press ENTER and select menu 13.
- (2) Press ENTER button.
- (3) Enter password (→ chapter 4.5 "Password").
- (4) The relays are now Switched and can be tested.
- (5) Press ENTER button to go back to menu or ESC to go back to measuring mode.

**Changeable Parameters for Relays**

Values	default	minimum	maximum
Alarm threshold	30% of Range (O <sub>2</sub> = 20 vol%)	5 % of Range	100% of Range
Alarm relay normally energized	yes	yes	no
Latch alarm	yes	yes	no
Alarming direction	O <sub>2</sub> decrease; other increase	Increasing	Decreasing
Alarm delay time	0 s	0 s	600 s
Failure relay normally energized	yes	yes	no
Failure relay delay time	0 s	0 s	600 s



Setting required for ATEX conditions:  
 Latch alarm = yes: Alarm output self-retaining  
 Alarm delay time = 0s, no delay of output  
 Failure relay normally energized = yes

**Changeable Parameters with HART**



For all parameters which can be changed over keypad see chapter 4.6 "Changeable Parameters"

Values	default	minimum	maximum
Password	0000	0000	9999
Tag	MSA	-	-
Description	PrimaX	-	-
Long tag		-	-
Message		-	-
Enable LOC if combustible	enable	enable	disable



In case of very high flammable concentrations >100%LEL the device is able to lock all outputs (LOC). This function shall be used for standalone applications according to ATEX requirements.

GB

**Output States**

State	Failure Relay	Alarm Relay
Normal		
Startup	Startup state (default: switched)	
Calibration		
Latched voltage overrange	Switched	
Loop not connected	Switched	
Underrange	Switched	
Error	Switched	
Safety critical error	Switched	
LOC (combustible)		Switched
Latched LOC (combustible)		Switched
Alarm threshold exceed		Switched

Switched: the relay state has switched from the normal state. The normal state can be set to energised if alarm/failure or de-energised if alarm/failure. Normally de-energised if alarm/failure meets the ATEX and SIL requirements. In case of switched relays the device will go to the normal state when the related condition (non-latched alarm and/or fail) has been removed. For additional information about output states, see chapter 10 "Appendix"

LOC: The PrimaX Gas Monitor has been exposed to a high gas concentration (above the LEL), and the over-range condition still exists.

Latched LOC: The PrimaX Gas Monitor has been exposed to a high gas concentration (above the LEL), and there is a possibility that the over-range condition may still exist.

## 5 Maintenance

### 5.1 Changing the Sensors

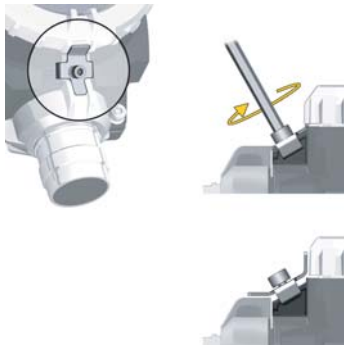


**DANGER!**

Remove and reinstall sensors carefully, ensuring that the components are not damaged; otherwise the approval may be adversely affected, wrong readings could occur, and persons relying on this product for their safety could sustain serious personal injury or death.



Before changing the sensor, the Sensor Exchange mode must be activated. This ensures the sensor must be calibrated after exchange and the sensor lifetime counter is reset. See chapter 4.2 "Menu Sequence".



#### Remove Interlock

- (1) Unscrew the socket head screw.
- (2) Remove the interlock.



#### Remove Bayonet Joint

- (3) Turn the bayonet ring counter-clockwise.
- (4) Remove the bayonet ring by pulling it down.



**Replace Sensor**

- (5) Unplug the sensor carefully.
- (6) Plug in the new sensor carefully.
- (7) Replace the bayonet ring.
- (8) Replace the interlock.

## 6 Technical Data

### 6.1 Specifications

	PrimaX P	PrimaX I
<b>Enclosure</b>	aluminum enclosure flameproof IP 67 ingress protection	plastic enclosure intrinsically safe IP 66 ingress protection
<b>Dimensions</b> in mm (Height X Width X Depth)	220 X 162 X 100	220 X 162 X 81
<b>Weight</b>	1.6 kg	1.2 kg
<b>Humidity</b>	15 % to 90 % rel. humidity	15 % to 90 % rel. humidity
<b>Power supply</b>	19.2 V - 28.0 V	19.2 V - 28.0 V
<b>Power consumption</b>	3 W	0.7 W
<b>Temperature range (instrument)</b>	-40 to +70 °C	-40 to +70 °C
<b>Temperature range (sensor)</b>	see sensor	see sensor
<b>Signal output</b>	4 – 20 mA	4 – 20 mA
<b>HART (option)</b>	yes	yes
<b>Relay (option)</b>	yes	no
<b>Signal output tolerance</b>	1 %	1 %
<b>Pressure</b>	80 – 120 kPa	80 – 120 kPa
<b>Max. load resistance</b>	300 Ohm	300 Ohm
<b>Air velocity</b>	0 – 6 m/s	0 – 6 m/s

#### Measuring Methods

Oxygen	Electrochemical sensor
Toxic gases	Electrochemical sensor
Combustible gases	Thermo-catalytic sensor

Relay nominal switching capacity (resistive load):

Alarm Relay	2A / 30V DC
Failure Relay	2A / 30V DC



**Refresh Rate of Output Signals**

4 - 20 mA output signal (analog)	100 ms
Alarm (LED and relay)	100 ms
Failure (LED and relay)	100 ms
Display (measuring value)	1 s
Display (alarm)	2100 ms

**6.2 Cable Lengths and Cross-sections**

The maximum load resistance for all combinations is 300 Ohm.

Sensor type	Cross-section	Max. length at 24 V DC	
Toxic Gases and Oxygen Sensors with 4 – 20 mA Signal Output (2- wire Sensor)	1.0 mm <sup>2</sup>	1960 m	
	1.5 mm <sup>2</sup>	2940 m	
Catalytic Combustible Gas Sensor with 4 – 20 mA Signal Output (3- wire Sensor)		<b>without relay</b>	<b>with relay</b>
	1.0 mm <sup>2</sup>	980 m	700 m
	1.5 mm <sup>2</sup>	1470 m	1050 m
		<b>without relay</b>	<b>with relay</b>
Toxic Gases and Oxygen Sensors with 4 – 20 mA Signal Output (3- wire Sensor)		<b>without relay</b>	<b>with relay</b>
	1.0 mm <sup>2</sup>	3920 m	2000 m
	1.5 mm <sup>2</sup>	5880 m	3000 m
		<b>without relay</b>	<b>with relay</b>
Catalytic Combustible Gas Sensor with 4 – 20 mA Signal Output (4- wire Sensor)		<b>with relay</b>	
	1.0 mm <sup>2</sup>	420 m	
	1.5 mm <sup>2</sup>	630 m	
Toxic Gases and Oxygen Sensors with 4 – 20 mA Signal Output (4- wire Sensor)	1.0 mm <sup>2</sup>	1848 m	
	1.5 mm <sup>2</sup>	2772 m	

**6.3 Performance Specifications**

Warm up time	Combustible	95 s
	OX/TOX	36 s
Storage temperature	-40 °C to +70 °C or temperature range of the sensor	

GB

6.4 List of Detectable Gases

Gas	Default range	Selectable range(s)	Temperature Range
Ammonia (NH <sub>3</sub> )	100 ppm	50 ppm	-20 – 40 °C
Ammonia (NH <sub>3</sub> )	500 ppm	1000 ppm	-20 – 40 °C
Carbon Monoxide (CO)	200 ppm	100 ppm	-20 – 50 °C
		500 ppm	
		1000 ppm	
Chlorine (Cl <sub>2</sub> )	10 ppm	5 ppm	-20 – 40 °C
Hydrogen (H <sub>2</sub> )	1000 ppm	-	-20 – 50 °C
Hydrogen Chloride (HCl)	30 ppm	10 ppm	-20 – 40 °C
		20 ppm	
Hydrogen Cyanide (HCN)	30 ppm	10 ppm	-40 – 40 °C
		20 ppm	
		50 ppm	
Hydrogen Sulphide (H <sub>2</sub> S)	50 ppm	10 ppm	-40 – 50 °C
		20 ppm	
		100 ppm	
Methane (CH <sub>4</sub> )	100 % LEL	-	-40 –70 °C
Nitric Oxide (NO)	100 ppm	-	-15 – 40 °C
Nitrogen Dioxide (NO <sub>2</sub> )	10 ppm	20 ppm	-20 – 50 °C
		100 ppm	
Oxygen (O <sub>2</sub> ) part no. 10112718 (recommended)	25 vol. %	10 vol. %	-30 – 55 °C
Oxygen (O <sub>2</sub> ) part no. 10148289	25 vol. %	10 vol. %	-20 – 50 °C
Propane (C <sub>3</sub> H <sub>8</sub> )	100 % LEL	-	-40 – 70 °C
		10 ppm	
Sulphur Dioxide (SO <sub>2</sub> )	50 ppm	20 ppm	-20 – 50 °C
		100 ppm	

Gases	Zero drift	Full scale drift	Zero deviation	Lower limit of the measuring range
CO	≤ 2 ppm/month	≤ 5 %/month	≤ 4 % of full scale	3 % of full scale
H <sub>2</sub> S	≤ 2 ppm/month	≤ 5 %/month	≤ 2 % full scale, at least 1 ppm	1 % full scale, at least 1 ppm

GB

**Resolution of display**

**Measuring range Resolution**

1 to 10	0.1
25 Vol % oxygen	0.1
10 to 2000	1

**Response time (diffusion mode)**

Oxygen	Response time		Recovery time
	t20	t90	t10
	≤ 8 s	≤ 25 s	≤ 25 s

Toxic	Response time		Recovery time
	t90		t10
CO	≤ 20 s		≤ 44 s
H <sub>2</sub> S	≤ 12 s		≤ 32 s

Combustible	Response time		Recovery time	
	t50	t90	t50	t10
Methane	≤ 10 s	≤ 18 s	≤ 10 s	≤ 18 s
Propane	≤ 12 s	≤ 20 s	≤ 12 s	≤ 20 s

Combustible	Response time		Recovery time	
	t50 *)	t90 *)	t50 *)	t10 *)
1-Ethoxy-2-Propanol	≤ 20	≤ 48	≤ 20	≤ 48
Hydrogen	≤ 10	≤ 18	≤ 10	≤ 18
Methane	≤ 10 s	≤ 18 s	≤ 10 s	≤ 18 s
Propane	≤ 12 s	≤ 20 s	≤ 12 s	≤ 20 s

\*) Response times with calibration cap and a flow rate of 1 l / min



The response time will be increased up to 60 seconds by using the Sensor gard.

6.5 Sensor Response to Interferants



Interference factors may differ from sensor to sensor and with life time.

It is not advisable to calibrate with interference gases.

This table does not claim to be complete. The sensor might also be sensitive to other gases.

Gas Sensor	Interferant		
Combustible	wide variety of combustible gases and vapours		
Ammonia (NH <sub>3</sub> ) 100 ppm	20 ppm H <sub>2</sub> S 2 ppm		
Ammonia (NH <sub>3</sub> ) 1000 ppm	30 ppm Cl <sub>2</sub> 5 ppm	200 ppm H <sub>2</sub> S 120 ppm	10 ppm NO <sub>2</sub> 6.5 ppm
	200 ppm SO <sub>2</sub> -20 ppm		
Carbon Monoxide (CO)	100 ppm NO 69 ppm	100 ppm H <sub>2</sub> 40 ppm	100 ppm ethanol 4 ppm
	100 ppm NO <sub>2</sub> -5 ppm		
Chlorine (Cl <sub>2</sub> )	1 ppm Br <sub>2</sub> 1 ppm	2.4 ppm ClO <sub>2</sub> 0.55 ppm	20 ppm H <sub>2</sub> S 0.1 ppm
	10 ppm NO <sub>2</sub> 4.5 ppm	0.25 ppm O <sub>3</sub> 0.11 ppm	
Hydrogen (H <sub>2</sub> )	300 ppm CO <60 ppm	15 ppm H <sub>2</sub> S <3 ppm	35 ppm NO 10 ppm
	10 ppm HCN 3 ppm	100 ppm C <sub>2</sub> H <sub>4</sub> 80 ppm	
Hydrogen Chloride (HCl)	0.2 ppm AsH <sub>3</sub> 0.7 ppm	5 ppm Cl <sub>2</sub> < +/- 0.1 ppm	20 ppm HCN 7 ppm
	20 ppm H <sub>2</sub> S 60 ppm	100 ppm NO 45 ppm	10 ppm NO <sub>2</sub> < +/- 0.5 ppm
	0.1 ppm PH <sub>3</sub> 0.3 ppm	20 ppm SO <sub>2</sub> 8 ppm	
Hydrogen Cyanide (HCN)	100 ppm NO -5 ppm	10 ppm NO <sub>2</sub> -7 ppm	
Hydrogen Sulphide (H <sub>2</sub> S)	100 ppm Cl <sub>2</sub> -9 ppm	100 ppm NO <sub>2</sub> -21 ppm	100 ppm NO 1 ppm
	100 ppm HCN 1 ppm	100 ppm SO <sub>2</sub> 1 ppm	
Nitric oxide (NO)	20 ppm HCN 5 ppm	10 ppm NO <sub>2</sub> 3.5 ppm	20 ppm SO <sub>2</sub> 6 ppm

GB

Gas Sensor	Interferant		
Nitrogen Dioxide (NO <sub>2</sub> )	50 ppm NO <-5 ppm	20 ppm SO <sub>2</sub> <-15 ppm	10 ppm Cl <sub>2</sub> <80 ppm
	400 ppm H <sub>2</sub> <0.1 ppm	20 ppm H <sub>2</sub> S <-35 ppm	400 ppm CO <0.1 ppm
	20 ppm NH <sub>3</sub> < 0.1 ppm	50 ppm C <sub>2</sub> H <sub>4</sub> < 0.1 ppm	5 vol% CO <sub>2</sub> < 0.1 ppm
	200 ppb O <sub>3</sub> <120 ppm		
Oxygen (O <sub>2</sub> )	no data		
Sulphur Dioxide (SO <sub>2</sub> )	300 ppm CO <3 ppm	5 ppm NO <sub>2</sub> <-5 ppm	

**6.6 PrimaX P List of Combustible Gases and Vapours detectable with Catalytic Sensor Part No. 10112716**

**Relative response factors of tested gases with reference to Propane**

For the gases or vapours shown in the tables of this chapter the response curves have been tested according to EN 60079-29-1:2007. If the LEL of a substance was not listed in EN 60079-20-1:2010, the LEL has been taken from the Chemsafe data base (Dechema, Frankfurt). Due to legal requirements other locally used LEL values might be mandatory. It is highly recommended that the gas detector is exposed to clean air when calibrating the zero and a mixture of the target gas in air with a concentration of approximately 50% LEL. If calibration with the target gas is not possible a reference calibration can be performed with 0.85 % (v/v) Propane C<sub>3</sub>H<sub>8</sub> in air and using the relative response data given in the table of this chapter. These values are only valid for new sensors and, unless otherwise stated, they refer to an ambient temperature of 20°C. If using a reference gas to calibrate the gas detector the displayed values may vary by up to +/- 20% from the target gas concentration.

**Reference calibration example for 50% Methanol:**

- (1) Relative response factor for Methanol from table = 0.62
- (2) Propane calibration gas concentration being used = 0.89 Vol %  
C<sub>3</sub>H<sub>8</sub>
- (3) Propane volume concentration for 100 % LEL = 1.7 Vol %
- (4) Propane calibration gas concentration in % LEL  
= 0.89 Vol % C<sub>3</sub>H<sub>8</sub> x  $\frac{100 \% \text{ LEL}}{1.7 \text{ Vol } \% \text{ C}_3\text{H}_8}$  = 52.4 % LEL
- (5) Gas detector span setting = 52.4 % LEL x 0.62 = 32.5 % LEL

GB

Gas	CAS-No.	LEL (vol%)	Response time (s) (t50) *)	Response time (s) (t90) *)	Gas/ Fluid	Response factor
Acetaldehyde (C <sub>2</sub> H <sub>4</sub> O)	75-07-0	4.0			fluid	0.64 <sup>M</sup>
Acetic acid (C <sub>2</sub> H <sub>4</sub> O <sub>2</sub> )	64-19-7	4.0			fluid	1.51 <sup>M</sup>
Acetic anhydride ((CH <sub>3</sub> CO) <sub>2</sub> O)	108-24-7	2.0			fluid	1.56 <sup>M</sup>
Acetone (C <sub>3</sub> H <sub>6</sub> O)	67-64-1	2.5	≤ 9	≤ 24	fluid	0.94 <sup>D</sup>
Acetylene (C <sub>2</sub> H <sub>2</sub> )	74-86-2	2.3			gas	0.76 <sup>M</sup>
Acrylonitrile (C <sub>3</sub> H <sub>3</sub> N)	107-13-1	2.8			fluid	0.75 <sup>M</sup>
Allyl alcohol (C <sub>3</sub> H <sub>6</sub> O)	107-18-6	2.5			fluid	0.90 <sup>M</sup>
Ammonia (NH <sub>3</sub> )	7664-41-7	15.0			gas	0.38 <sup>M</sup>
Benzene (C <sub>6</sub> H <sub>6</sub> )	71-43-2	1.2			fluid	1.21 <sup>M</sup>
1.3-Butadiene (C <sub>4</sub> H <sub>6</sub> )	106-99-0	1.4			gas	1.01 <sup>M</sup>
i-Butane ((CH <sub>3</sub> ) <sub>3</sub> CH)	75-28-5	1.3			gas	1.20 <sup>M</sup>
n-Butane (C <sub>4</sub> H <sub>10</sub> )	106-97-8	1.4			gas	1.09 <sup>M</sup>
n-Butanol (Butylalcohol) (C <sub>4</sub> H <sub>10</sub> O)	71-36-3	1.4			fluid	1.40 <sup>M</sup>
2-Butanone (C <sub>4</sub> H <sub>8</sub> O)	78-93-3	1.5	≤ 12	≤ 31	fluid	1.13 <sup>D</sup>
i-Butylacetate (C <sub>6</sub> H <sub>12</sub> O)	110-19-0	1.3			fluid	1.48 <sup>M</sup>
n-Butylacetate (C <sub>6</sub> H <sub>12</sub> O)	123-86-4	1.2			fluid	1.56 <sup>M</sup>
Butylbenzene (C <sub>10</sub> H <sub>14</sub> )	104-51-8	0.8			fluid	3.85 <sup>M</sup>
1-Butylene (C <sub>4</sub> H <sub>8</sub> )	106-98-9	1.6			gas	0.94 <sup>M</sup>
i-Butylene (C <sub>4</sub> H <sub>8</sub> )	115-11-7	1.6			gas	0.93 <sup>M</sup>
Cyclohexane (C <sub>6</sub> H <sub>12</sub> )	110-82-7	1.0			fluid	1.49 <sup>M</sup>
Cyclopentane (C <sub>5</sub> H <sub>10</sub> )	287-92-3	1.4			fluid	1.05 <sup>M</sup>
Diethylether (C <sub>4</sub> H <sub>10</sub> O)	60-29-7	1.7			fluid	1.16 <sup>M</sup>
1.4-Dioxane (C <sub>4</sub> H <sub>8</sub> O <sub>2</sub> )	123-91-1	1.4			fluid	2.22 <sup>M</sup>
Ethane (C <sub>2</sub> H <sub>6</sub> )	74-84-0	2.4			gas	0.87 <sup>M</sup>
Ethanol (C <sub>2</sub> H <sub>6</sub> O)	64-17-5	3.1	≤ 11	≤ 31	fluid	0.89 <sup>D</sup>
Ethene (C <sub>2</sub> H <sub>4</sub> )	74-85-1	2.3			gas	0.77 <sup>M</sup>
1-Ethoxy-2 propa-nol (C <sub>5</sub> H <sub>12</sub> O <sub>2</sub> )	1569-02-4	1.3	≤ 14	≤ 46	fluid	1.71 <sup>D</sup>
Ethyl acetate (C <sub>4</sub> H <sub>8</sub> O <sub>2</sub> )	141-78-6	2.0	≤ 13	≤ 46	fluid	1.12 <sup>D</sup>
Ethyl acrylate (C <sub>5</sub> H <sub>8</sub> O <sub>2</sub> )	140-88-5	1.4			fluid	1.45 <sup>M</sup>
Ethyl benzene (C <sub>8</sub> H <sub>10</sub> )	100-41-4	0.8			fluid	1.49 <sup>M</sup>
Ethylen oxide (C <sub>2</sub> H <sub>4</sub> O)	75-21-8	2.6			gas	0.99 <sup>M</sup>
Gasoline 65/95	64742-49-0	0.9	≤ 10	≤ 21	fluid	1.40 <sup>D</sup>
n-Heptane (C <sub>7</sub> H <sub>16</sub> )	142-82-5	0.85			fluid	1.75 <sup>M</sup>
n-Hexane (C <sub>6</sub> H <sub>14</sub> )	110-54-3	1.0			fluid	1.48 <sup>M</sup>

Gas	CAS-No.	LEL (vol%)	Response time (s) (t50) *)	Response time (s) (t90) *)	Gas/ Fluid	Response factor
Hydrogen (H <sub>2</sub> )	1333-74-0	4.0	≤ 6	≤ 16	gas	0.53 <sup>D</sup>
Methane (CH <sub>4</sub> )	74-82-8	4.4			gas	0.55 <sup>M</sup>
Methanol (CH <sub>4</sub> O)	67-56-1	6.0			fluid	0.62 <sup>M</sup>
Methyl tert-butylether (C <sub>5</sub> H <sub>12</sub> O)	1634-04-4	1.5			fluid	1.12 <sup>M</sup>
n-Nonane (C <sub>9</sub> H <sub>20</sub> )	111-84-2	0.7			fluid	1.85 <sup>M</sup>
n-Pentane (C <sub>5</sub> H <sub>12</sub> )	109-66-0	1.1			gas	1,38 <sup>M</sup>
Propane (C <sub>3</sub> H <sub>8</sub> )	74-98-6	1.7	≤ 14	≤ 24	gas	1.00 <sup>D</sup>
1-Propanol (C <sub>3</sub> H <sub>8</sub> O)	71-23-8	2.1	≤ 10	≤ 50	fluid	0.98 <sup>D</sup>
2-Propanol (C <sub>3</sub> H <sub>8</sub> O)	67-63-0	2.0	≤ 11	≤ 25	fluid	1.04 <sup>D</sup>
Propene (C <sub>3</sub> H <sub>6</sub> )	115-07-1	2.0	≤ 8	≤ 19	gas	0.85 <sup>D</sup>
Propylene oxide (C <sub>3</sub> H <sub>6</sub> O)	75-56-9	1.9			fluid	1.15 <sup>M</sup>
Toluene (C <sub>7</sub> H <sub>8</sub> )	108-88-3	1.0	≤ 15	≤ 46	fluid	1.22 <sup>D</sup>
Vinyl chloride (C <sub>2</sub> H <sub>3</sub> Cl)	75-01-4	3.6			gas	1.08 <sup>M</sup>
Xylenes (C <sub>8</sub> H <sub>10</sub> )	1330-20-7	0.9			fluid	1.47 <sup>M</sup>

All response factors relate to propane (measured at 50 % LEL; 0.85 % (v/v))

- \* Response times are with a flow through adapter and a gas flow of 1 l/min
- <sup>D</sup> Response factor defined by DEKRA EXAM
- <sup>M</sup> Response factor defined by MSA (not included in the EC-Type Examination Certificate BVS 10 ATEX E 009 X)

## 7 Approvals

### 7.1 Marking, Certificates and Approvals according to the Directive 2014/34/EU (ATEX) and National Standards

#### PrimaX P

Manufacturer:	MSA Europe GmbH Schlüsselstr.12 CH - 8645 Rapperswil-Jona
Product:	<b>PrimaX P</b>
EC-Type Examination Certificate:	BVS 10 ATEX E009 X
Standards:	EN 60079-0:2012 + A11:2013, EN 60079-1:2014, EN 60079-11:2012, EN 60079-31:2014
Performance:	EN 60079-29-1:2007, EN 50104:2010, EN 50271:2010

Gas:	Measure range: 0-100 % LEL Methane, Propane, 2-Butanone, Acetone, Ethanol, Ethyl acetate, (FAM-) Standard mineral spirit 65/95, 2-Propanol, Propene, Toluene, Hydrogen, 1-Ethoxy-2-Propanole (40 °C) Oxygen: 0-10 % (V/V), 0-25 % (V/V) PFG 11 G 001: EN 45544 -1:1999; EN 45544 -2:1999
Other gases:	Tox: H <sub>2</sub> S: 0-20 ppm; 0-100 ppm; CO: 0-100 ppm; 0-1000 ppm

Marking:	Prima X P      U <sub>m</sub> = 60 VDC
----------	--

#### Main housing



I 2G Ex db ia (ia) IIC T4/T6 Gb  
II 2D Ex tb ia (ia) IIIC T130°C / T85°C Db IP 67  
T4 -40°C ≤ Ta ≤ +70°C, T6 -40°C ≤ Ta ≤ +40°C  
T130°C -40°C ≤ Ta ≤ +70°C,  
T85°C -40°C ≤ Ta ≤ +40°C

#### Prima X

##### Combustible sensor



Ex db IIC T4/T6 Gb  
Ex tb IIIC T130°C / T85°C Db IP 67  
T4 -40°C ≤ Ta ≤ +70°C, T6 -40°C ≤ Ta ≤ +40°C  
T130°C -40°C ≤ Ta ≤ +70°C,  
T85°C -40°C ≤ Ta ≤ +40°C

#### Prima X

##### Ox/Tox sensor



Ex ia IIC T4 Gb  
Ex ia IIIC T135°C Db IP 67  
-40°C ≤ Ta ≤ +70°C



Option: HART Module Connector, only for temporary connection of an intrinsic safe HART Field Communicator  
 $P_o \leq 200 \text{ mW}$ ,  $U_o \leq 2,7 \text{ V}$ ,  $I_o \leq 137 \text{ mA}$ ,  $L_o \leq 10 \text{ }\mu\text{H}$ ,  $C_o \leq 1 \text{ nF}$   
 $P_i \leq 5 \text{ mW}$ ,  $U_i \leq 5 \text{ V}$ ,  $I_i \leq 1 \text{ mA}$ ,  $L_i = 0$ ,  $C_i = 0$   
 Relay: switching voltage = 30 VDC; switching current = 2 ADC

### Special Conditions for Safe Use

- Do not open the instrument when energized.
- For dust applications the installation conditions according to EN 60079-31 has to be considered.
- Intensive electrostatic charging processes have to be prevented on the instrument label.
- The joint widths of the flameproof joint of this apparatus are in parts longer, and its gaps are in parts shorter than the values of Table 2 of EN 60079-1:2014. For maintenance or repair contact the manufacturer.

In case of using the **PrimaX Ex-Sensor**, the complete device type **PrimaX P** is in accordance to temperature class T6/T85°C, ambient temperature range  $-40^\circ\text{C} \leq T_a \leq +40^\circ\text{C}$  or to temperature class T4/T130°C, ambient temperature range  $-40^\circ\text{C} \leq T_a \leq +70^\circ\text{C}$

In case of using the **PrimaX Ox-Tox-Sensor**, the complete device type **PrimaX P** is in accordance to temperature class T4/T130°C, ambient temperature range  $-40^\circ\text{C} \leq T_a \leq +70^\circ\text{C}$

Avoid electrostatic charge on the temporary used calibration cap when used for calibration.

### Cable gland

- M25 x 1,5; Torque 8 -12 Nm; only ATEX certified versions for gas and dust shall be used.
- NPT ¾"- 14; fixture with 2 layer PTFE sealing tape or according to the instructions of the NPT supplier; when removed, new PTFE sealing has to be used after reinstalling; only ATEX certified versions for gas and dust shall be used.

The HART-interface is subject of this type examination certificate only for the purpose of maintenance and parametrization.

When the HART-/ relay module is used the alarm shall be configured latching.

If a device with a combustible sensor is exposed to vibrations , calibration shall be done in sufficient short intervals until it is verified that the device is not affected by the vibration stress.

After exposure of gas above the measuring range, the sensor has to be immediately calibrated/ adjusted, independent of the calibration interval. In the case of an adjustment the sensitivity of the sensor has to be rechecked again after 24 hours.

Quality Assurance Notification:	0158
Year of Manufacture:	see Label
Serial Nr.:	see Label

**PrimaX I**

Manufacturer: MSA Europe GmbH  
 Schlüsselstrasse 12  
 CH-8645 Rapperswil-Jona

Product: **PrimaX I**

EC-Type Examination Certificate: BVS 10 ATEX E009 X  
 Standards: EN 60079-0:2012 + A11:2013, EN 60079-11:2012

Performance: EN 50104 :2010, EN 50271 :2010

Gas: Oxygen: 0-10 % (V/V), 0-25 % (V/V)  
 PFG 11 G 001: EN 45544 -1:1999; EN 45544 -2:1999

Other gases: Tox: H<sub>2</sub>S: 0-20 ppm; 0-100 ppm;  
 CO: 0-100 ppm; 0-1000 ppm

Marking: Prima X I



II 1G Ex ia IIC T4 Ga  
 -40°C ≤ Ta ≤ +70°C  
 II 2D Ex ia IIIB T135°C Db  
 -40°C ≤ Ta ≤ +40°C

$P_i \leq 700 \text{ mW}$ ,  $U_i \leq 28 \text{ V}$ ,  $I_i \leq 100 \text{ mA}$ ,  $L_i = 0$ ,  $C_i = 0$

Option: HART Module Connector, only for temporary connection of an intrinsic safe HART Field Communicator  
 $P_o \leq 700 \text{ mW}$ ,  $U_o \leq 28 \text{ V}$ ,  $I_o \leq 100 \text{ mA}$ ,  $L_o \leq 10 \mu\text{H}$ ,  $C_o \leq 1 \text{ nF}$   
 $P_i \leq 5 \text{ mW}$ ,  $U_i \leq 5 \text{ V}$ ,  $I_i \leq 1 \text{ mA}$ ,  $L_i = 0$ ,  $C_i = 0$

Special conditions for safe use:

It is not allowed to open the key pad cover during usage in areas where EPL Ga, Group IIC is required.

Avoid electrostatic charge on the temporary used calibration cap when used for calibration.

Quality Assurance Notification: 0158  
 Year of Manufacture: see Label  
 Serial Nr.: see Label

GB

## 7.2 Marking and Certificates according to IECEx

### PrimaX P

Manufacturer:	MSA Europe GmbH Schlüsselstrasse 12 CH-8645 Rapperswil-Jona
Product:	<b>PrimaX P</b>
IEC-Type Examination Certificate:	IECEx BVS 10.0043 X
Standards:	IEC 60079-0:2011, IEC 60079-1:2014, IEC 60079-11:2011 IEC 60079-31:2013
Performance:	none
Gas:	see manual
Marking:	Prima X P  Main housing $U_m = 60$ VDC Ex db ia (ia) IIC T4/T6 Gb Ex tb ia (ia) IIIC T130°C / T85°C Db IP 67 T4 $-40^{\circ}\text{C} \leq T_a \leq +70^{\circ}\text{C}$ , T6 $-40^{\circ}\text{C} \leq T_a \leq +40^{\circ}\text{C}$ T130°C $-40^{\circ}\text{C} \leq T_a \leq +70^{\circ}\text{C}$ , T85°C $-40^{\circ}\text{C} \leq T_a \leq +40^{\circ}\text{C}$  Prima X Combustible sensor Ex db IIC T4/T6 Gb Ex tb IIIC T130°C / T85°C Db IP 67 T4 $-40^{\circ}\text{C} \leq T_a \leq +70^{\circ}\text{C}$ , T6 $-40^{\circ}\text{C} \leq T_a \leq +40^{\circ}\text{C}$ T130°C $-40^{\circ}\text{C} \leq T_a \leq +70^{\circ}\text{C}$ , T85°C $-40^{\circ}\text{C} \leq T_a \leq +40^{\circ}\text{C}$ Prima X Ox/Tox sensor Ex d ia IIC T4 Gb Ex ia IIIC T130°C Db IP 67 $-40^{\circ}\text{C} \leq T_a \leq +70^{\circ}\text{C}$
Option:	HART Module Connector, only for temporary connection of an intrinsic safe HART Field Communicator $P_o \leq 185$ mW, $U_o \leq 2,7$ V, $I_o \leq 137$ mA, $L_o \leq 10$ $\mu$ H, $C_o \leq 1$ nF, $P_i \leq 5$ mW, $U_i \leq 5$ V, $I_i \leq 1$ mA, $L_i = 0$ , $C_i = 0$ Relays: switching voltage: 30 VDC; switching current: 2 ADC

## Special conditions for safe use:

- Do not open the instrument when energized.
- For dust applications the installation conditions according to EN 60079-31 have to be considered.
- Intensive electrostatic charging processes on the instrument label have to be prevented on the instrument label.
- The joint widths of the flameproof joint of this apparatus are in parts longer, and its gaps are in parts shorter than the values of Table 2 of EN 60079-1:2014. For maintenance or repair contact the manufacturer.

In case of using the **PrimaX Ex-Sensor**, the complete device type **PrimaX P** is in accordance to temperature class T6/T85°C, ambient temperature range  $-40^{\circ}\text{C} \leq T_a \leq +40^{\circ}\text{C}$  or to temperature class T4/T130°C, ambient temperature range  $-40^{\circ}\text{C} \leq T_a \leq +70^{\circ}\text{C}$

In case of using the **PrimaX Ox-Tox-Sensor**, the complete device type **PrimaX P** is in accordance to temperature class T4/T130°C, ambient temperature range  $-40^{\circ}\text{C} \leq T_a \leq +70^{\circ}\text{C}$

Avoid electrostatic charge on the temporary used calibration cap when used for calibration.

Cable gland: M25 x 1,5 ;Torque 8 -12 Nm; only ATEX certified versions for gas and dust shall be used.  
NPT 3/4"- 14; fixture with 2 layer PTFE sealing tape or according to the instructions of the NPT supplier; when removed, new PTFE sealing has to be used after reinstalling; only ATEX certified versions for gas and dust shall be used.

Quality Assurance Notification:	0158
Year of Manufacture:	see Label
Serial Nr.:	see Label

**PrimaX I**

Manufacturer:	MSA Europe GmbH Schlüsselstrasse 12 CH-8645 Rapperswil-Jona
Product:	<b>PrimaX I</b>
IEC-Type Examination Certificate:	IECEX BVS 10. 0043 X
Standards:	IEC 60079-0:2011, IEC 60079-11:2011
Performance:	non
Gas:	see manual
Marking:	Prima X I Ex ia IIC T4 Ga -40°C ≤ Ta ≤ +70°C Ex ia IIIB T130°C Db -40 °C ≤ Ta ≤ +40 °C
	$P_i \leq 700 \text{ mW}$ , $U_i \leq 28 \text{ V}$ , $I_i \leq 100 \text{ mA}$ , $L_i = 0$ , $C_i = 0$
Option:	HART Module Connector, only for temporary connection of an intrinsic safe HART Field Communicator $P_o \leq 700 \text{ mW}$ , $U_o \leq 28 \text{ V}$ , $I_o \leq 100 \text{ mA}$ , $L_o \leq 10 \mu\text{H}$ , $C_o \leq 1 \text{ nF}$ $P_i \leq 5 \text{ mW}$ , $U_i \leq 5 \text{ V}$ , $I_i \leq 1 \text{ mA}$ , $L_i = 0$ , $C_i = 0$

**Special conditions for safe use:**

- It is not allowed to open the key pad cover by use in areas where Category 1G, Group IIC is required.
- Avoid electrostatic charge on the temporary used calibration cap when used for calibration.

Quality Assurance Notification:	0158
Year of Manufacture:	see Label
Serial Nr.:	see Label

### 7.3 Special conditions for the safe use according to ATEX and SIL applications

#### Safety relevant parameters for the Gas Transmitters

Type	B
Structure	1oo1 or 1oo2
HFT	0 or 1
PFD, PFH, SFF	see table
$\lambda_{tot}$ , $\lambda_D$ , $\lambda_{DU}$ , $\lambda_{DD}$	see table
MTTR	72 h
T1	16 weeks (Proof-Test-Interval)

#### Possible structures and acquirable SILs

The following table shows, which structure has to be selected, to fulfil the requirements of a special SIL.

LDM = Low Demand Mode

HDM = High Demand or Continuous Mode

	SIL1		SIL2		SIL3	
	LDM	HDM	LDM	HDM	LDM	HDM
<b>Structure 1oo1</b>	X	X	X			
<b>Structure 1oo2</b>	X	X	X	X	X	X

Depending on the selected configuration and the sensor version, the following safety-relevant parameters have to be considered while implementing the safety loop:

**General conditions for the safe use**

- The application advice and the limitations of the manual have to be considered. For calibration and maintenance, the regional and national regulations have to be considered.
- A defect transmitter has to be repaired within 72 hours.
- The HART® interface is not allowed to be used for the transmission of safety related data.
- The alarm conditions of the transmitter must be periodically checked together with the typical gas calibration checks.
- The relays must be energised under normal conditions.
- The relay contacts must be protected with a fuse rated 0.6 of the nominal specified relay contact current.
- The failure relay contacts must be safety related processed for warning purposes when the 4 to 20 mA link is not use for the alarm condition.
- The tests of the 4-20 mA - output signal and alarm conditions and the test of the alarm and fault relays, LEDs and display have to be done during every calibration phase.
- The connected controller has to monitor the 4-20 mA signal current for values below 4 mA and above 20 mA.
- For the correct use of the combustible sensor a minimum oxygen concentration of 10 Vol% is necessary.
- The presence of catalytic poisons has to be avoided for the combustible sensor.
- A functional check/calibration check has to be done for the complete system.
- A visual check has to be done monthly.
- A system check has to be done every year.
- For the test gas, the gas has to be used which is defined for the measurement. The concentration of the test gas has to be in the middle of the measure range.
- For zero gas, synthetic air has to be used.
- An adjustment has to be done under the following conditions:  
 difference at zero > +/- 5 % UEG  
 difference at sensitivity > +/- 20 % of the rated value
- If the calibration is inside of the valid tolerance, the calibration interval can be doubled.
- The maximum of the calibration interval is 16 weeks.
- The sensor has to be replaced if the sensor sensitivity during the operation is reduced to less than 50 % of the initial sensitivity.
- After exposure of gas above the measuring range, the sensor has to be immediately calibrated/ adjusted, independent of the calibration interval. In the case of an adjustment the sensitivity of the sensor has to be rechecked again after 24 hours.
- If the appearance of catalytic poisons for the combustible sensor can not be avoided, the calibration interval has to be considerably reduced.

## Special conditions for SIL 2

- The use of the sensors in a High Demand or Continuous Mode is allowed only in a 1002 - structure.
- The outputs of the sensors (4-20 mA - loops and relay contacts) must be monitored regarding deviations.

## Special conditions for SIL 3

- The use of the sensors is allowed only in a 1002 - structure.
- The outputs of the sensors (4-20 mA - loops and relay contacts) must be monitored regarding deviations.



## 7.4 Safety Relevant Parameters [40°C]t

## Application with Relay

	$\lambda_{total}$	$\lambda_S$	$\lambda_D$	$\lambda_{DU}$	$\lambda_{DD}$	SFF	DC	PFD <sub>1001</sub>	PFD <sub>1001</sub>	PFD <sub>1002</sub>	PFD <sub>1002</sub>	PFD <sub>1002</sub>	PFD <sub>1002</sub>	PFD <sub>1002</sub>	PFD <sub>1002</sub>
	fit	fit	fit	fit	fit	%	%	% of SIL 2		% of SIL 3 1/h		% of SIL 1 1/h		% of SIL 3	
Ammonia (NH <sub>3</sub> )	3737	2469	1269	415	854	88.9	67.3	7.9E-04	5.6	1.2E-05	1.2	4.2E-07	4.2	8.7E-09	8.7
Carbon Monoxide (CO)	3187	2194	994	255	739	92.0	74.4	3.4E-04	3.4	7.0E-06	0.7	2.5E-07	2.5	5.3E-09	5.3
Chlorine (Cl <sub>2</sub> )	4332	2766	1566	589	978	86.4	62.4	7.8E-04	7.9	1.7E-05	1.7	5.9E-07	5.9	1.3E-08	12.7
Combustible	6666	3933	2733	1066	1667	84.0	61.0	1.4E-03	14.3	3.1E-05	3.1	1.1E-06	10.7	2.4E-08	24.2
Hydrogen (H <sub>2</sub> )	3737	2469	1269	415	854	88.9	67.3	7.8E-04	5.6	1.2E-05	1.2	4.2E-07	4.2	8.7E-09	8.7
Hydrogen Chloride (HCl)	4297	2749	1549	578	970	86.5	62.7	1.0E-04	7.8	1.6E-05	1.6	5.8E-07	5.8	1.2E-08	12.4
Hydrogen Cyanide (HCN)	3995	2598	1398	490	907	87.7	64.9	7.5E-04	6.6	1.4E-05	1.6	5.6E-07	5.6	1.2E-08	12.0
Hydrogen Sulphide (H <sub>2</sub> S)	3187	2194	994	255	739	92.0	74.4	5.6E-04	3.4	7.0E-06	0.7	2.5E-07	2.5	5.3E-09	5.3
Nitrogen Dioxide (NO <sub>2</sub> )	4237	2718	1518	561	958	86.8	63.1	7.5E-04	7.5	1.6E-05	1.6	5.6E-07	5.6	1.2E-08	12.0
Nitrogen Oxide (NO)	4877	3039	1839	748	1091	84.7	59.3	1.0E-03	10.0	2.1E-05	2.1	7.5E-07	7.5	1.6E-08	16.4
Oxygen (O <sub>2</sub> )	6044	3622	2422	655	1767	89.2	73.0	8.8E-04	8.8	1.9E-05	1.9	6.5E-07	6.5	1.4E-08	14.2
Sulphur Dioxide (SO <sub>2</sub> )	4297	2749	1549	578	970	86.5	62.7	5.6E-04	7.8	1.6E-05	1.6	5.8E-07	5.8	1.2E-08	12.4

## Application with 4-20 mA Current Output

	$\lambda_{total}$	$\lambda_S$	$\lambda_D$	$\lambda_{DU}$	$\lambda_{DD}$	SFF	DC	PFD <sub>1k</sub>	PFD <sub>1001</sub>	PFD <sub>1002</sub>	PFD <sub>1002</sub>	PFD <sub>1002</sub>	PFD <sub>1002</sub>	PFD <sub>1002</sub>	PFD <sub>1002</sub>
	fit	fit	fit	fit	fit	%	%		% of SIL 2		% of SIL 3	1/h	% of SIL 1	1/h	% of SIL 3
Ammonia (NH <sub>3</sub> )	1734	867	867	363	504	79.1	58.1	4.9E-04	4.9	1.0E-05	1.0	3.6E-07	3.6	7.6E-09	7.6
Carbon Monoxide (CO)	1183	592	592	202	389	82.9	65.8	2.7E-04	2.7	5.5E-06	0.6	2.0E-07	2.0	4.2E-09	4.2
Chlorine (Cl <sub>2</sub> )	2328	1164	1164	536	628	77.0	53.9	7.2E-04	7.2	1.5E-05	1.5	5.4E-07	5.4	1.1E-08	11.5
Combustible	4662	2331	2331	1013	1318	78.3	56.5	1.4E-03	13.6	3.0E-05	3.0	1.0E-06	10.1	2.3E-08	22.9
Hydrogen (H <sub>2</sub> )	1734	1437	1437	363	504	79.1	58.1	4.9E-04	4.9	1.0E-05	1.0	3.6E-07	3.6	7.6E-09	7.6
Hydrogen Chloride (HCl)	2294	1117	1117	526	621	77.1	54.1	7.1E-04	7.1	1.5E-05	1.5	5.3E-07	5.3	1.1E-08	11.2
Hydrogen Cyanide (HCN)	1992	867	867	438	558	78.0	56.0	5.9E-04	5.9	1.2E-05	1.2	4.4E-07	4.4	9.3E-09	9.3
Hydrogen Sulphide (H <sub>2</sub> S)	1183	592	592	202	389	82.9	65.8	2.7E-04	2.7	5.5E-06	0.6	2.0E-07	2.0	4.2E-09	4.2
Nitrogen Dioxide (NO <sub>2</sub> )	2233	1147	1147	509	608	77.2	54.5	6.8E-04	6.8	1.4E-05	1.4	5.1E-07	5.1	1.1E-08	10.8
Nitrogen Oxide (NO)	2874	1437	1437	695	741	75.8	51.6	9.3E-03	9.3	2.0E-05	2.0	7.0E-07	7.0	1.5E-08	15.2
Oxygen (O <sub>2</sub> )	4040	2020	2020	602	1418	85.1	70.2	8.1E-04	8.1	1.7E-05	1.7	6.0E-07	6.0	1.3E-08	13.0
Sulphur Dioxide (SO <sub>2</sub> )	2294	1147	1147	526	621	77.1	54.1	7.1E-04	7.1	1.5E-05	1.5	5.3E-07	5.3	1.1E-08	11.2

## 8 Accessories

For part numbers → chapter 9 "Spare Parts".

### 8.1 Calibration Cap

Using calibration cap allows span gas calibration procedure to be accurate in windy environmental conditions.

The calibration cap is pushed on to the front of the sensor and is sealed by an O- ring. The surface area  $S < 20 \text{ cm}^2$ .



Fig. 13 Calibration cap



#### WARNING!

The calibrating cap must be removed after completing the calibration!

The gas is supplied via either of the gas inlets by means of suitable flexible tube.

### 8.2 Sensor Gard



Fig. 14 Sensor gard

The sensor gard should be fitted at all times except when using the flow through adapter or duct mount kit.

Ambient weather condition can affect the gas mixture inside of the sensor gard. Use sensor gard for functional test only. Calibration cap is recommended for sensor calibration.



Using the sensor gard will extend the response time, depending on the gas flow rate.

Gas flow rate: 1,0 l/min

### 8.3 Remote Calibration



Fig. 15 PrimaX with CalGard

The CalGard stainless steel remote calibration adaptor provides reliable operation of remotely installed gas detectors working under harsh environmental conditions. Additionally, the CalGard allows remote verification ("bump test") or instrument calibration of gases listed later in this section and oxygen via a hose connection in the presence of wind speeds up to 6 m/s.

In normal measurement operation, the ambient air passes through the air vents into the remote calibrator directly to the sensor (diffusion operation). During a bump test or instrument calibration, the test gas is supplied to the sensor via the hose connection at the bottom of the CalGard. An integrated mechanism prevents the dilution and dispersion of test gas otherwise caused by external influences, such as wind. This allows a fast response from the sensor to the applied test gas.

Once calibration is complete, the air inlet reopens to allow the monitoring of ambient air for gas without the need for further user intervention.

#### Installation

For correct operation, PrimaX and CalGard must be used in a vertical position (hose connection pointing downwards). The CalGard remote calibration adaptor can be attached to the sensor by screwing on the thread of the detector.



The tube connector is adapted for tubes with an inner diameter of 5 mm.

In general the hose should be as short as possible in order to:

- Minimise the gas volume needed to flush the tube
- Reduce external influences (e.g. temperature shift, pressure, etc.)
- Minimise the lead time

Hose material should be adapted to the applied test gas, have no absorptive or adsorptive properties and should be made from inert material such as teflon or polyethylene.

When using the CalGard in the hazardous area, a conductive hose must be used.

The free end of the test gas tube must be closed if no test gas is applied. This is to prevent gas or air passing through the tube to the sensor, distorting the measurement or in the reverse pressure conditions, the ambient atmosphere escapes from the sensor at the free end of the tube.

To ensure proper function the CalGard remote calibration adaptor must be kept dry and free of any contaminants, e.g. dust particles. Regular visual checks are recommended. Any contaminants must be removed by blowing them off with clean, oil-free compressed air or with a dry brush. Ensure that the air entrances are kept free from any coating, e.g. paint, grease or similar.

### Operation

Calibration procedure can be carried out as described in chapter 4.3 "Calibration" of this manual

To compensate for possible deviations during measurement of flammable gases a calibration factor of 1.05 has to be applied.

Example: Calibration for methane.

Apply 40 %LEL methane and adjust to  $1.05 \times 40 = 42$  %LEL

When using the CalGard for a remote calibration, the response time of the system increases depending on the length of the test gas tubes used. If the calibration is done automatically, set the calibration setup (menu: M04) with sufficiently long countdown times for zero gas and calibration gas.

Example: When using a 10 metre long tube with an internal diameter of 5 mm and applying a gas flow of 1 litre/min, the test gas takes a minimum of 20 sec to reach the CalGard remote calibration adaptor. For safe flushing of CalGard, an additional 10 seconds has to be added to this calculation.

If the CalGard is being used with a control system (i.e. SUPREMA), please ensure the manual for the controller has been read and understood.

The pressure in the test gas tube increases with rising test gas flow rates. A flow rate of 1500 ml/min results in a pressure up to 600 hPa. This has to be considered if a flow meter is used which is affected by the media pressure.

<b>Material</b>	St. St. 316		
<b>Dimensions (in mm)</b>	60 x 122 (diameter x height)		
<b>Weight</b>	0.6 kg		
<b>Working temperature</b>	-30 °C to +70 °C		
<b>Storage temperature</b>	-30 °C to +70 °C		
<b>Max. wind speed</b>	up to 6 m/s		
<b>Applicable test gases</b>	H <sub>2</sub> , CH <sub>4</sub> , C <sub>3</sub> H <sub>8</sub> , CO and H <sub>2</sub> S in air, O <sub>2</sub> in N <sub>2</sub> (approval of other gases by MSA on request)		
Recommended flow rate	1.0 l / min		
Minimum flow rate	0,8 l / min		
Maximum flow rate	1.5 l / min		
<b>Response times</b>			
	CH <sub>4</sub>	t <sub>50</sub> ≤ 15 s	t <sub>90</sub> ≤ 40 s
	C <sub>3</sub> H <sub>8</sub>	t <sub>50</sub> ≤ 20 s	t <sub>90</sub> ≤ 55 s
	O <sub>2</sub>	t <sub>50</sub> ≤ 10 s	t <sub>90</sub> ≤ 45 s
	CO	t <sub>50</sub> ≤ 15 s	t <sub>90</sub> ≤ 45 s
	H <sub>2</sub> S	t <sub>50</sub> ≤ 20 s	t <sub>90</sub> ≤ 60 s

## 8.4 Flow Through Adapter



Fig. 16 Flow through adapter

The flow through adapter is for use with a pumped sampling system.

Gas inlet/outlet thread:	1/8" NPT
Gas flow rate:	1.0 l/min



Using the flow through adapter will extend the response time, depending on the gas flow rate.

## 8.5 Duct Mounting Kit



Fig. 17 Duct mounting kit

Gas monitoring in air ducts can be performed by means of this duct mounting kit. When installing, the direction of flow inside the duct must be towards the baffles.

The sensor can be calibrated via the gas calibration port, provided the duct is free of all gases to which the sensor will respond. If the duct cannot be gas free, the sensor must be removed from the duct during calibration.

The calibration port must be sealed again with the locking cap after calibration has been carried out. Calibration should only be carried out with the calibration port if the air velocity is < 5 m/s in the air duct.



The performance of the duct mounting kit depends on various parameters and has to be checked before usage. The kit was not part of the compliance test.

## 8.6 Pipe Mounting Kit

The PrimaX can be mounted vertically by fastening its back plane using two screws and washers. Additionally, a pipe mount kit allowing the PrimaX to be fixed to pipes or poles is available as an accessory.

The kit consists of:

- one universal mounting plate
- one retaining plate for pipes with a diameter of 20 – 30 mm
- one retaining plate for pipes with a diameter of 30 – 50 mm
- two tightening straps for pipes with a diameter of 50 – 150 mm.



Fig. 18 Mounting plate



Fig. 19 Retaining plate



Fig. 20 Tightening straps

NOTE: The Pipe mounting kit not included in the EC-Type Examination Certificate BVS 10 ATEX E 009 X

## 8.7 Sensor Tag



Fig. 21 Sensor tag

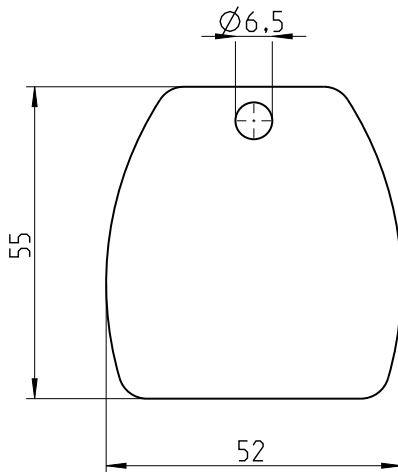


Fig. 22 Measurements sensor tag

The stainless steel label allows to identify and tag the location or installation of the instrument on the site.



## 8.8 Sunshield



Fig. 23 Sunshield

Stainless steel plate to protect the transmitter from direct sunlight.

## 8.9 Universal HART Cable



Fig. 24 Universal HART cable

Universal cable that will connect the PrimaX detector to any standard HART handheld (f.e. Emerson 375) using the HART connector.

## 9 Spare Parts

### List of Accessories

Description	Material	Part No.
Sensor Gard	Plastic	10113033
Flow Through Adapter	St.St. 316	10113031
Duct Mounting Kit	St.St. 316	10112790
Pipe Mounting Kit	St.St. 316	10113032
Sensor Tag	St.St. 316	10113034
Sunshield	St.St. 316	10113035
Calibration Cap	Plastic	10112789
CalGard	St.St. 316	10150921
Universal HART cable (1.5 m)		10113036

### PrimaX I Replacement Parts

Description	Part No
Bayonet lock plate & screw	10113042
Sensor bayonet & cap	10113048
Mounting plate	10113041
Lid	10113045
Lid screws (set of 4)	10113046
Keyboard cover	10113040
Cable gland M25 x 1.5, 7 – 17 mm	10113039

### PrimaX P Replacement Parts

Description	Part No
Bayonet lock plate & screw	10113050
Sensor bayonet and cap	10113058
Mounting plate	10113041
Lid	10113056
Keyboard cover	10113040
Cable gland Ex d II CT4 M25 x 1.5	10113038
Cable gland Ex d II CT4 ¾" NPT	10113037

### Replacement Sensors

Gas	Range (optional)	Part No.
Catalytic Sensor Combustible Gases (Only PrimaX P version)	100% LEL	10112716
Ammonia (NH <sub>3</sub> )	100 ppm (50 ppm)	10080225
Ammonia (NH <sub>3</sub> )	1000 ppm (500 ppm)	10112719

Gas	Range (optional)	Part No.
Carbon Monoxide (CO)	200 ppm (100 ppm, 500 ppm, 1000 ppm)	711306
Chlorine (Cl <sub>2</sub> )	10 ppm (5 ppm)	10112720
Hydrogen (H <sub>2</sub> )	1000 ppm	10112723
Hydrogen Chloride (HCl)	30 ppm (10 ppm, 20 ppm)	10112721
Hydrogen Cyanide (HCN)	30 ppm (10 ppm, 20 ppm, 50 ppm)	10080220
Hydrogen Sulphide (H <sub>2</sub> S)	50 ppm (10 ppm, 20 ppm, 100 ppm)	711307
Nitrogen Dioxide (NO <sub>2</sub> )	10 ppm (20 ppm, 100 ppm)	10080224
Nitrogen Oxide (NO)	100 ppm	10112724
Oxygen (O <sub>2</sub> ) (standard)	0–25% vol. (10 vol%)	10112718
Oxygen (O <sub>2</sub> )	0–25% vol. (10 vol%)	10148289
Sulfur Dioxide (SO <sub>2</sub> )	50 ppm (10 ppm, 20 ppm, 100 ppm)	10080223



Electrochemical sensors should only be ordered for immediate replacement. The storage temperature should be in the range of +5° C to +12° C. Disposal of electrochemical sensors has to be carried out professionally.

## 10 Appendix

### 10.1 Output States

Display	Alternating	LED colour	State	Signal current	Default
		Green	Normal	4 – 20 mA	
		Yellow (flashing)	Startup	Service current	3 mA
		Yellow (flashing)	Calibration	Service current	3 mA
CAL	X	Yellow	Calibration invalid	Service current	3 mA
VCC ▲	X	Yellow	Latched voltage overrange (confirm on device)	Service current	3 mA
LOOP	X	Yellow	Loop not connected (PrimaX P)		
LO ▼	X	Yellow	Underrange (< -10 %)	Error current	2 mA
LO ▼	X	Green	Underrange (< -2 %) TOX (< -5 %) combustible	3.8 - 4 mA	
HI ▲	X	Green	Overrange	20 – 20.5 mA	
E-XX		Yellow	Error	Error current	2 mA
E-XX		Yellow	Safety critical error	Open loop • 0 mA PrimaX P • < 2 mA PrimaX I	

#### Relay versions only

Display	Alternating	LED colour	State	Signal current
		Red	Alarm	4 - 20 mA
		Red (flashing)	Latched alarm	4 - 20 mA

#### Catalytic sensor only (Part No.10112716)

LOC	X	Red	LOC	20.5 mA
LOC	X	Red (flashing)	Latched LOC	20.5 mA

LOC: The MSA\_Foot\_Prod1 Gas Monitor has been exposed to a high gas concentration (above the LEL), and the over-range condition still exists.

Latched LOC: The MSA\_Foot\_Prod1 Gas Monitor has been exposed to a high gas concentration (above the LEL), and there is a possibility that the over-range condition may still exist.

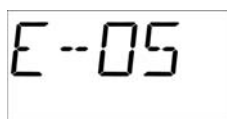


The output states are displayed alternating to the measuring value (except for ERROR and underrange).

## 10.2 Calibration Errors

Display	Cause	Troubleshooting
FAIL - 1	Zero not stable	
FAIL - 2	Zero too low	
FAIL - 3	Zero too high	
FAIL - 4	Span not stable	Check zero gas and span gas, see settings (M-03) and flow rate, repeat calibration, otherwise replace sensor
FAIL - 5	Span too low	
FAIL - 6	Span too high	
FAIL - 7	Not enough resolution	
FAIL - 8	Catalytic sensor values out of technical specification	

## 10.3 Error Codes



If an error is detected, the error code E, followed by a numeric code and a short description, will be displayed.

In this case the normal operation mode of the device will not respond to gas and the output signal current will be the ERROR value (default 2 mA).

Display	Cause	Troubleshooting
E-01 – E-19, E-50 – E-53	Latched Hardware/Software Error	E-01 – E-29 latched errors, press any key for reset device
E-20 – E-29	Sensor Cell error	
E-30 – E-39, E-54	Unlatched Hardware/Software Error	E-30 – E-49 non-latched errors, self-deactivating
E-40 – E-47	Relay error	
E-48	Device supply too high	
E-49	Device supply too low	

If an error code is displayed, the normal operation of the device is not possible.

If the error code is still shown after a reset, the device could be defective.

The removal of the hydrogen cyanide and chlorine sensors will not trigger the E-28 sensor error message.

For additional support please contact MSA Service.

Sensor errors (E-20 – E-29) could be cleared by checking if the sensor is well connected, or by changing the sensor, or also by resetting the device.

## 10.4 Timeout

The automatic calibration has a timeout of 4 minutes. The manual calibration has a timeout of 60 minutes (M-01, M-02). Any test procedure (M-06, M-07, M-13 and the sensor exchange M-05) has a timeout of 15 minutes. Anywhere else in the menu the timeout is 2 minutes, if no button is pressed.

## 10.5 Mechanical Installation

### Dimensions

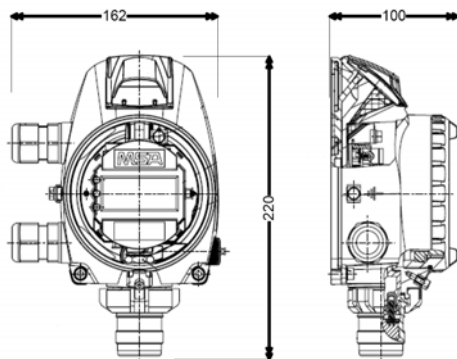


Fig. 25 Outline dimensions Prima X P

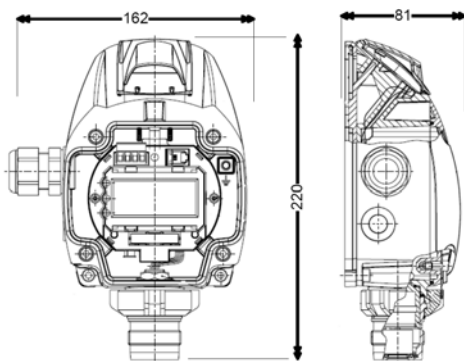


Fig. 26 Outline dimensions Prima X I

#### Cable gland

- M25 x 1,5; Torque 8 -12 Nm; only ATEX certified versions for gas and dust shall be used.
- NPT 3/4"- 14; fixture with 2 layer PTFE sealing tape or according to the instructions of the NPT supplier; when removed, new PTFE sealing has to be used after reinstalling; only ATEX certified versions for gas and dust shall be used.

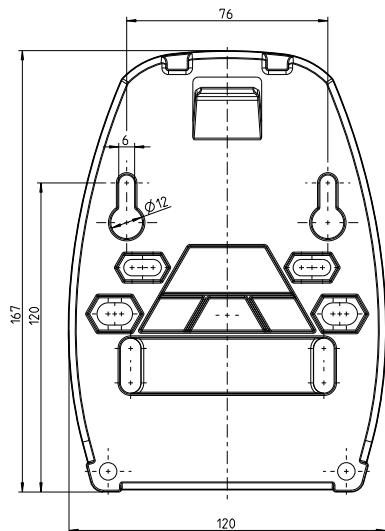


Fig. 27 Installation mounting plate

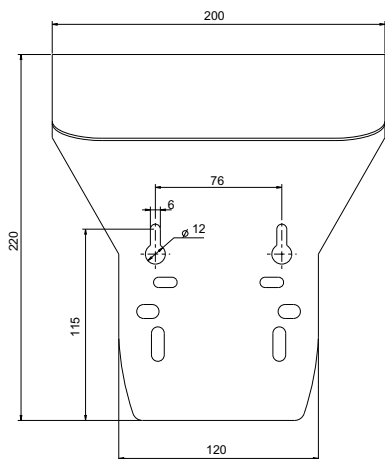


Fig. 28 Dimensions sunshield

GB

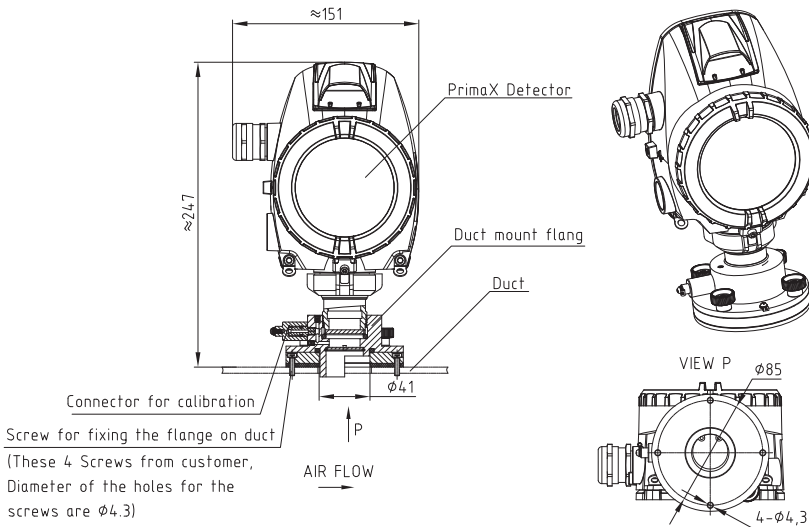


Fig. 29 Duct mounting

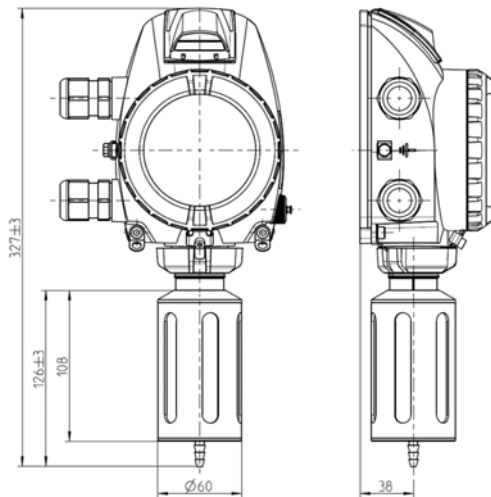


Fig. 30 Dimensions CalGard

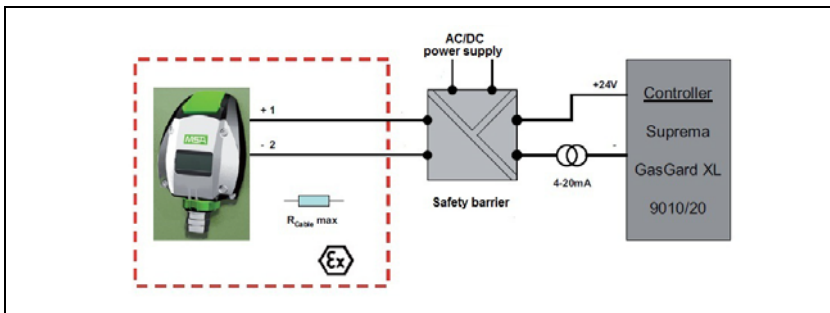
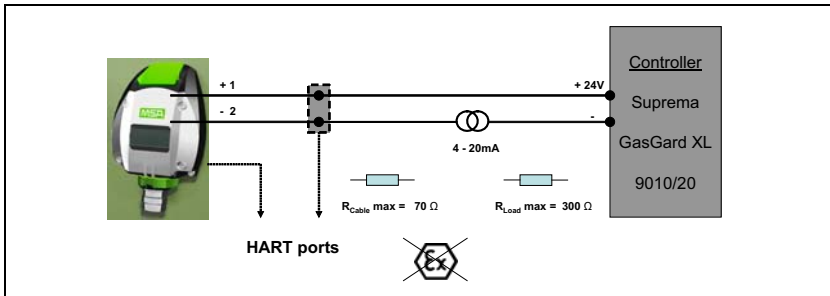
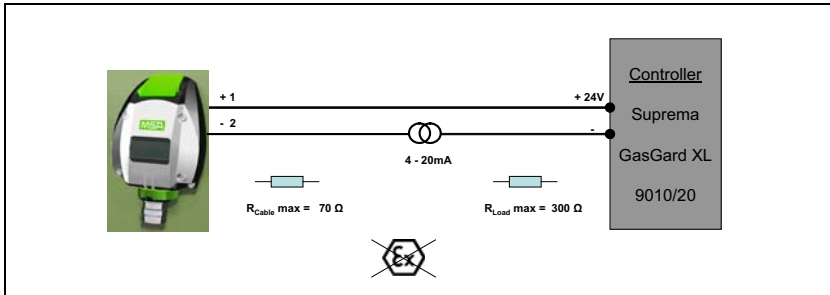
GB



### 10.6 Wiring Diagrams

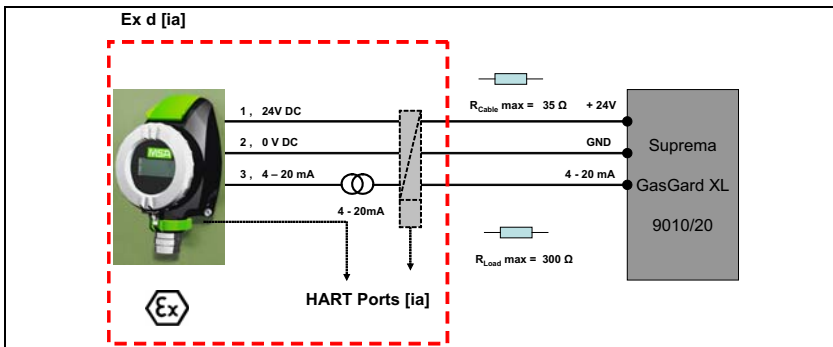
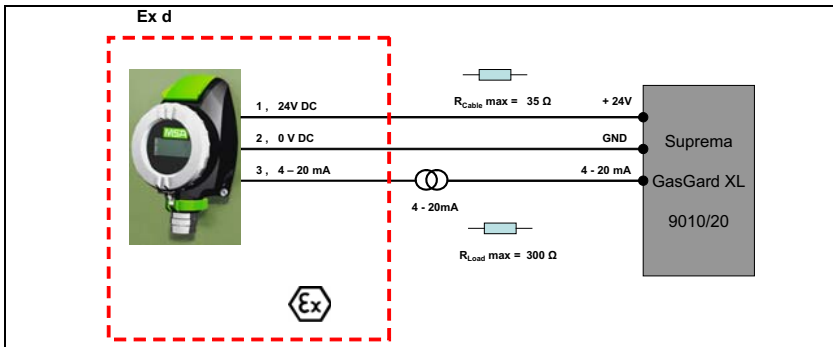
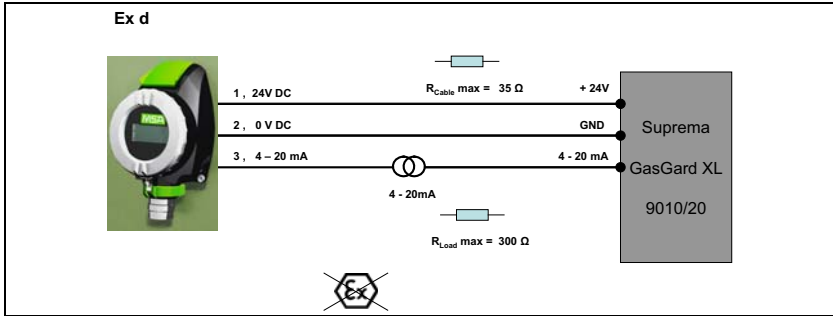
The HART communications require a minimum of 250 ohms resistance in the 4 – 20 mA loop.

#### PrimaX I, Ex ia, Intrinsically Safe

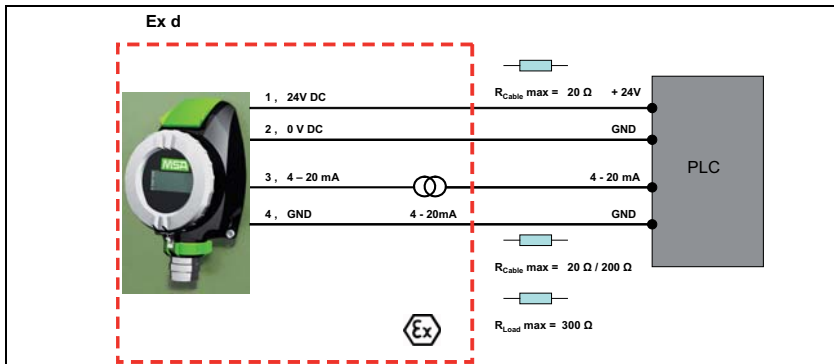
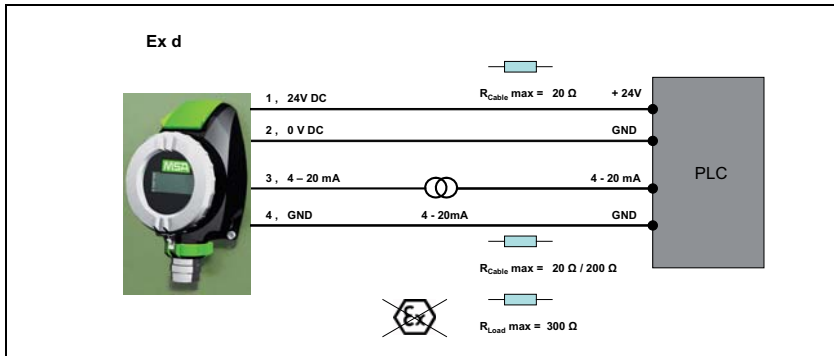
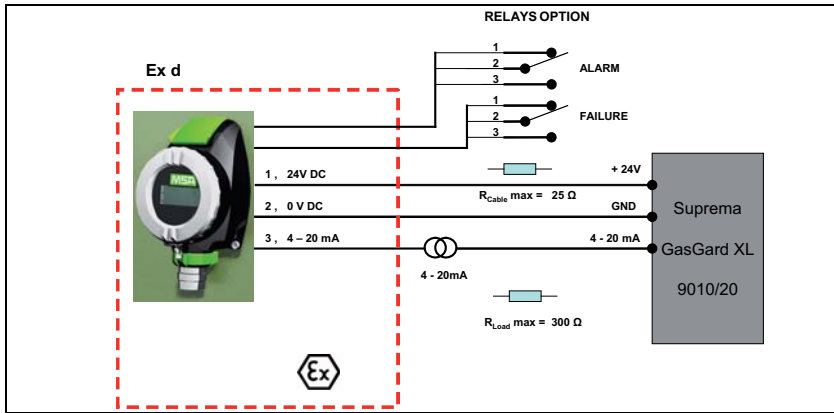


GB

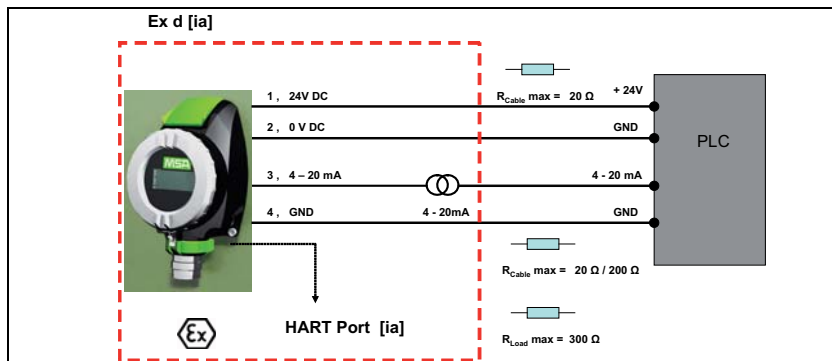
PrimaX P, Ex d, Flameproof



GB



GB



For local MSA contacts, please visit us at [MSAsafety.com](http://MSAsafety.com)

*Because every life has a **purpose**...*