



Welcome

KANE458

Flue Gas Analyser with
direct CO₂ measurement
& CO sensor 'over-range'
protection

Quick reference guide



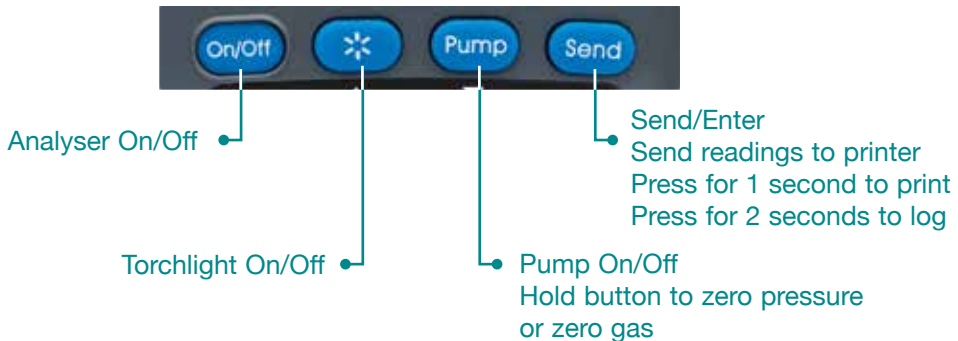
Hello

KANE458 getting started

- 1 Know your KANE458
- 2 Connections
- 3 Before use
- 4

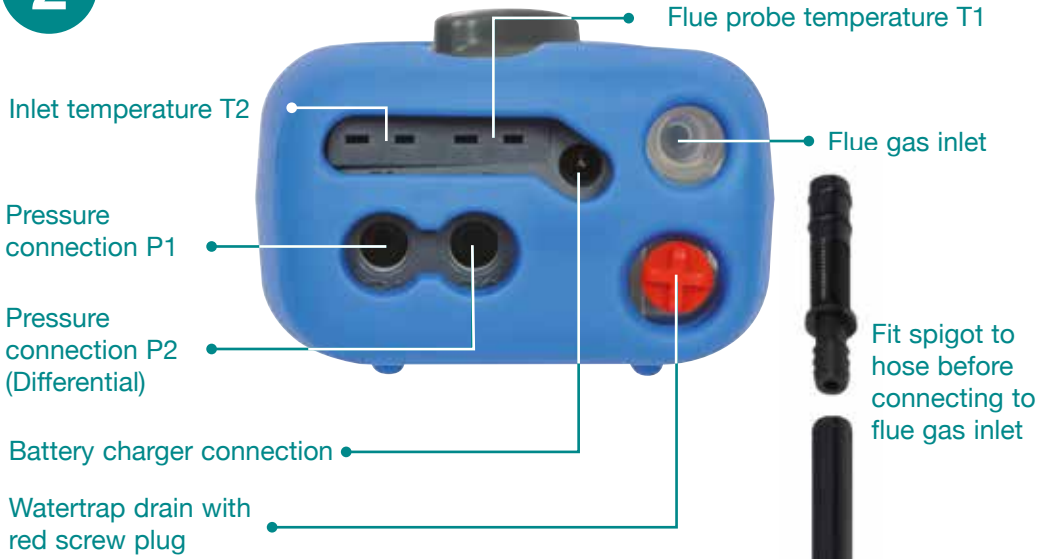
1

Know your KANE458



2

Connections



3

Before use

Check

Particle filter is not dirty; Water trap and flue probe are empty of water; Water trap and red screw plug are fitted to analyser; Flue probe hose is connected to flue gas inlet; Flue probe temperature plug is connected to T1 temperature connection

Fresh air purge

Position flue probe in fresh air & press "On/Off"
Analyser auto-calibrates within 90 seconds
Select "Ratio" on dial. In fresh air CO reading = 0ppm
Select "O₂/Eff" on dial. In fresh air O₂ reading = 20.9%
Select "Status" on dial to view

For best pressure sensor accuracy

Switch analyser on for 5 minutes to let temperature stabilise
Zero pressure sensor when analyser in exact position it will be used

To charge NiMH rechargeable batteries

Switch off
Connect the charger; charging indicator illuminates
Display shows "BATTERY CHARGING" if batteries need charging