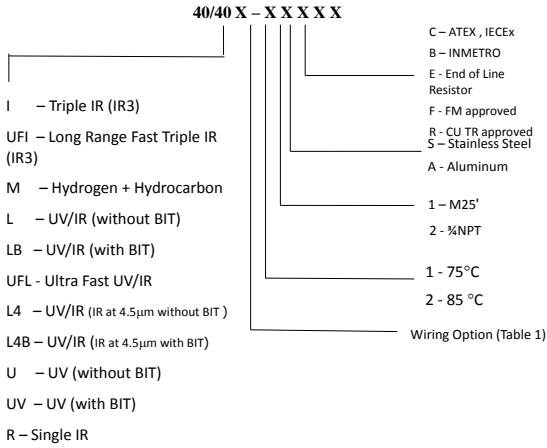


### 40/40 series model No. Definition

**Important :** The detectors have various internal configuration settings. Factory defaults will be supplied unless advised at time of order - please see Configuration Form for 'defaults' or to advise any desired changes



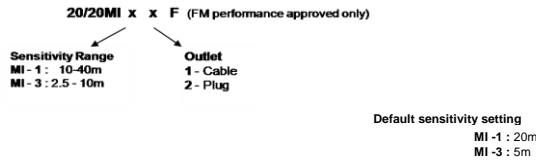
MODELS	option without BIT	With BIT	BIT = Built-in-test
IR3	-	I & UFI	
Multi IR	-	M	
Single IR	-	R	
UV/IR	L	LB	IR at 2.5 - 3µm
UV/IR	L4	L4B	IR at 4.5µm
UV	U	UB	
UV/IR Fast response		UFL	IR at 2.5 - 3µm

Table 1 - Wiring Options

Option	4-20mA	HART	Fault	Auxiliary	Alarms*
1 (Default)	Sink	✓	N.C.	X	N.O.
2	Source	✓	N.C.	X	N.O. / N.C.
3	Source	✓	N.O.	X	N.O. / N.C.
4	X	X	N.C.	N.O.	N.O.
5	X	X	N.O.	N.O.	N.O.

RS-485 available on all options \* Relays shown in non-alarm state

### 20/20 MI - items 2a) or 2b) part no. definition



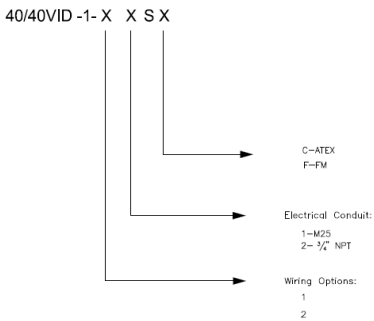
**Important :** Some of the 'M' detectors have various configuration settings. Factory defaults will be supplied unless advised at time of order - please see separate detector specific configuration sheet to note defaults or advise changes

### 20/20ML - item 1 part no. Definition

20/20ML - 11SF with cable tail  
 20/20ML - 12SF with plug connection

### 40/40 VID series model No. Definition

#### Part Number Definition



Wiring Option	Connections Provided									
	1+2	3	4	5+6	7	8+9	10	11	12+13	14+15
1	Power	Manual BIT	Fault Relay N.O	Fault Relay N.C.	Alarm Relay N.C.	Alarm Relay N.O.	0-20mA input	0-20mA output Sink	Analog Video	RS-485
2	Power	Manual BIT	ACC COM	Fault Relay N.C.	Alarm Relay N.C.	Alarm Relay N.O.	ACC N.O	0-20mA output Source	Analog Video	RS-485